

---

# HOGGI<sup>®</sup>



## SWINGBO VTi Spare parts catalogue

---

en

---

# Index

---

<b>1</b>	<b>Model identification and basic equipment</b>	
1.1	Modellidentifikation	4
1.2	<b>Basic equipment</b>	4
<b>2</b>	<b>Assemblies</b>	
2.1	Assemblies overview	5
<b>3</b>	<b>Spare parts</b>	
3.1	Base Frame	6
3.2	Central unit	7
3.3	Pressure plates	8
3.4	Cross tube	9
3.5	Anti tip	10
3.6	Tip assist	11
3.7	Seat adapter	12
3.8	Tilt adjustment	13
3.9	Seat frame	14
3.10	Seat panel	15
3.11	Seat cushion	16
3.12	Contoured seat cushion	17
3.13	Hip support	18
3.14	Abduction block	19-20
3.15	Push bar, detachable	21
3.16	Push handle with handle grip	22
3.17	Push handle adapter	23
3.18	Push bar, foldable and angle adjustable	24-25
3.19	Push handles, foldable	26-27
3.20	Push bar, foldable	28-29
3.21	Cross bail	30
3.22	Push bar upper part	31-32
3.23	Push bar „wide“ upper part	33
3.24	Fender	34
3.25	Fender aluminium	35
3.26	Brake lock lever	36
3.27	Brake	37
3.28	Locking of the integrated brake	38
3.29	Wheel fork aluminium	39
3.30	Skater wheels	40
3.31	Rear wheel	41
3.32	Rear wheel with drumbrake	42-43
3.33	Aluminium hand rim	44
3.34	Closed ergonomic aluminium hand rim	45
3.35	Maxgrepp Original push rim	46
3.36	Push rim cover	47
3.37	Spoke guard	48
3.38	Back panel angle and height adjustable	49
3.39	Back panel	50
3.40	Backrest base	51
3.41	Cross member	52
3.42	Back panel trough shaped	53

---

# Index

---

3.43	Head rest panel	54
3.44	Universal headrest bracket	55
3.45	Head rest with mounting bracket	56
3.46	Belt routing as a T-strap	57
3.47	Chest-/thoracic support	58
3.48	Thoracic support	59
3.49	Thoracic support only for back	60
3.50	MDP pad holder swing away	61
3.51	MDP pad holder fixed	62
3.52	MDP trunk support	63
3.53	Hip belt	64
3.54	4-point lap belt	65
3.55	Foot rest hanger	66
3.56	Foot rest hanger angle adjustable	67
3.57	Single knee angle system	68
3.58	Calf upholstery suitable	69
3.59	Foot board assembly	70
3.60	Foot rest bracket	71
3.61	Foot rest bracket for short LLL	72
3.62	Footboard holder for single footrest	73
3.63	Foot rest	74
3.64	Ankle huggers	75
3.65	Tie down kit	76
3.66	Armrest	77
3.67	Armrest with tilt balancing	78-79
3.68	Therapy tray	80
3.69	Clamping unit	81
3.70	Bumper wheels	82
3.71	Conversion kit to one hand drive	83
3.72	Canopy incl. adapter and rain protection	84

---

# Modelidentification

---

The label with the serial number is placed on the back of the axle tube.

Please give us the Serial number with every spare part order, to ensure a correct delivery.

The image shows three identical labels for a HOGGI SWINGBO VTi wheelchair. Each label contains the following information:

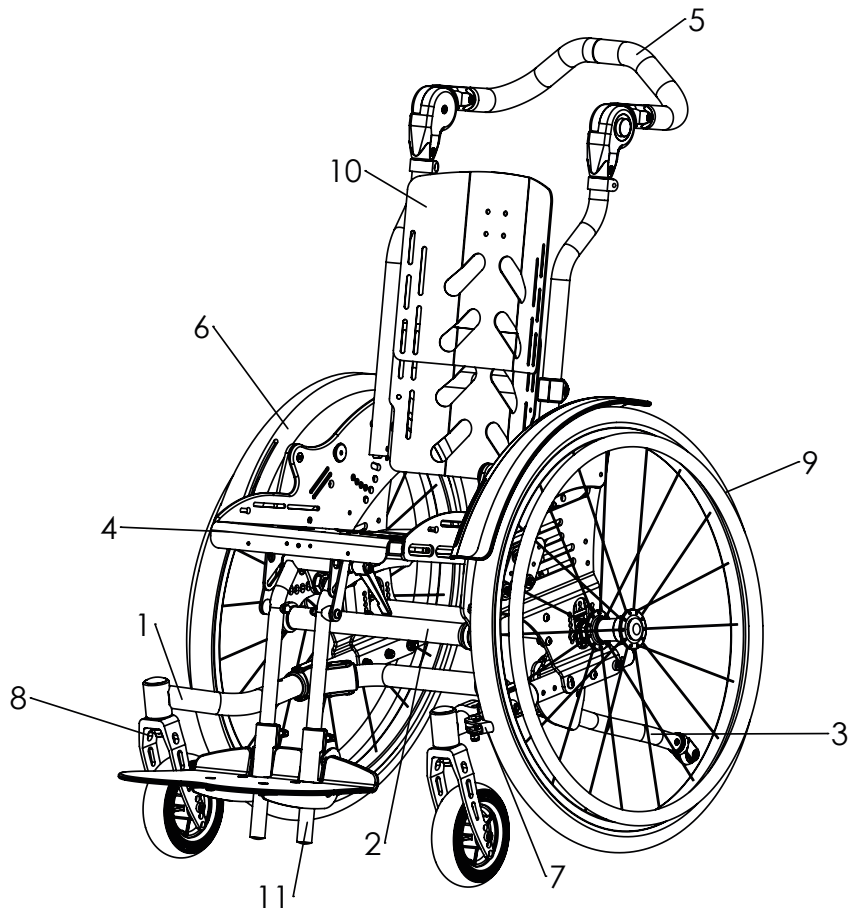
- Model:** 3248-10SB-XXX
- Item Number:** MD
- Serial Number:** 2021/05/09 2021178999
- CE-Identification:** CE 60kg
- Size:** 3248-10SB-XXX
- Type designation / Produkt name:** SWINGBO VTi
- Maximum user weight/ Maximum load:** 60kg
- Manufacturer:** HOGGI
- Year of manufacture:** 2021/05/09

Each label also includes the HOGGI logo, company name (Hoggi GmbH), address (Eulerstr. 27, 56235 Ransbach-Baumbach), and 'MADE IN GERMANY'.

## Basic configuration:

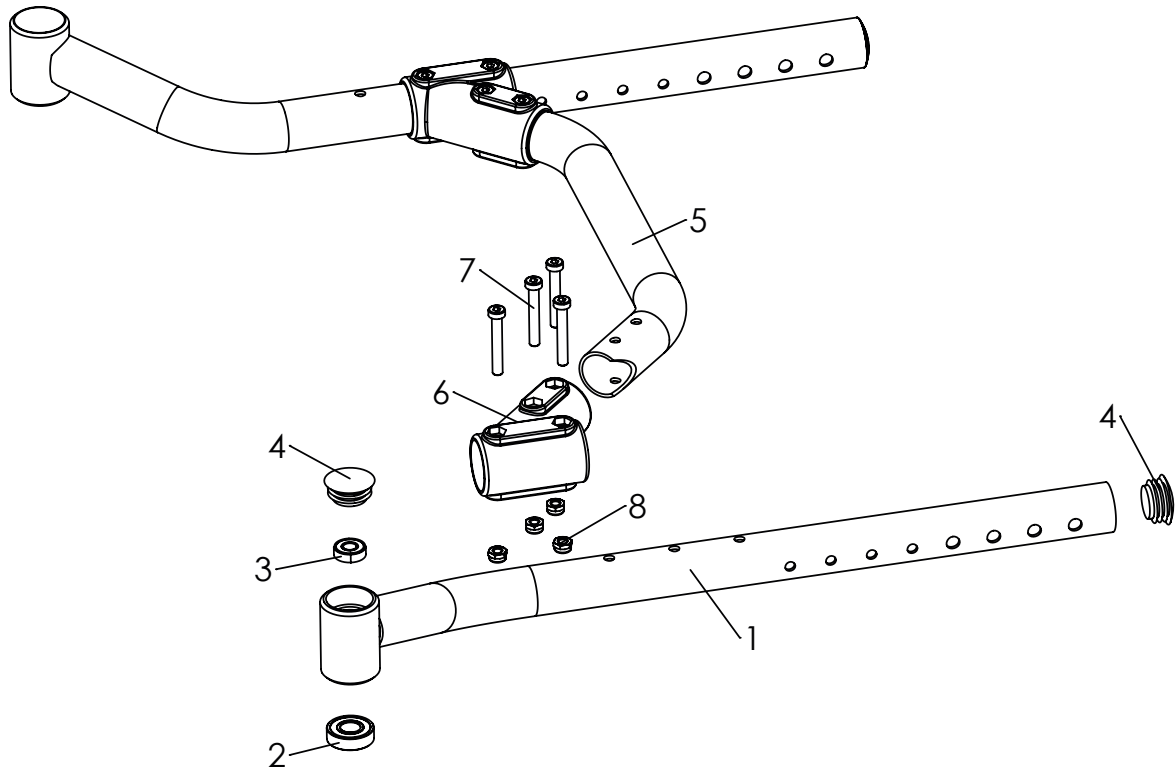
- SWINGBO VTi-Wheelchair with seat-system
- Front and rear wheels
- Fender with integrated break
- Push bar or Push handle
- Anti tip

# Model overview



Pos	Articel description	from page
1	Base frame	6
2	Cross tube	9
3	Anti tip	10
4	Seat	14
5	Push bar	21
6	Fender	34
7	Brake	36
8	Steering wheels	39
9	Wheels and hand rim	41
10	Back	49
11	Foot rest hanger	66

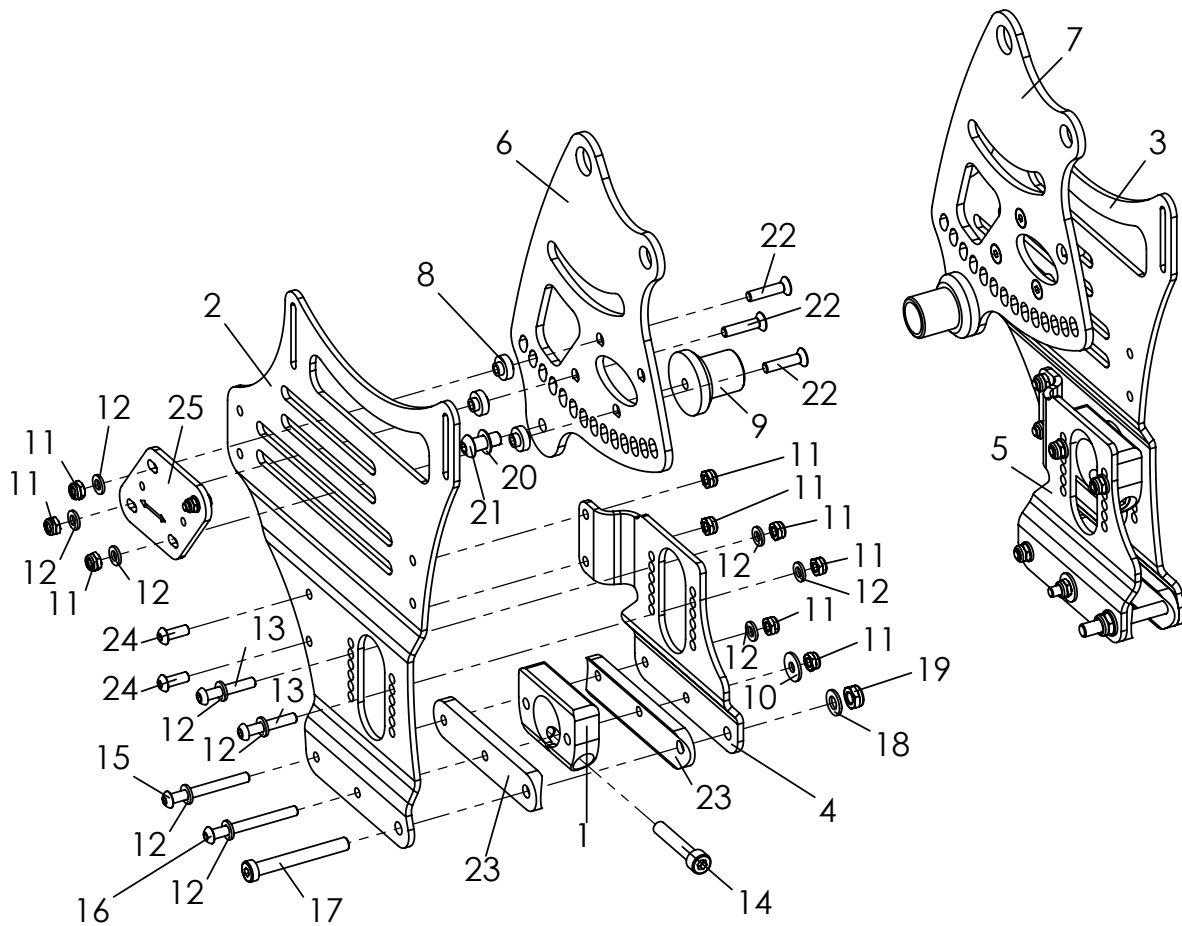
# Spare parts



Pos	Article number	Article description	Quantity	Unit
<b>1-8</b>	<b>3248-11SWE-000</b>	<b>Base Frame, in frame colour</b>	<b>1</b>	<b>Pc.</b>
1-4	3248-1116E-000	Side frame left	1	Pc.
	3248-1117E-000	Side frame right	1	Pc.
2	1090-0005	Grooved ball bearing D28xd12x8	2	Pc.
3	1090-0001	Grooved ball bearing D19xd8x6	2	Pc.
4	1141-0016	Ribbed insert SFL 30 30x0,8-2,5	4	Pc.
5-8*	3240-12SWE-000	Cross tube	1	Pc.
6	3240-1160	Fastener	2	Pc.
7	1022-0640	Cylinder head screw M6x40	8	Pc.
8	1042-0006	Hexagon nut self-locking M6	8	Pc.

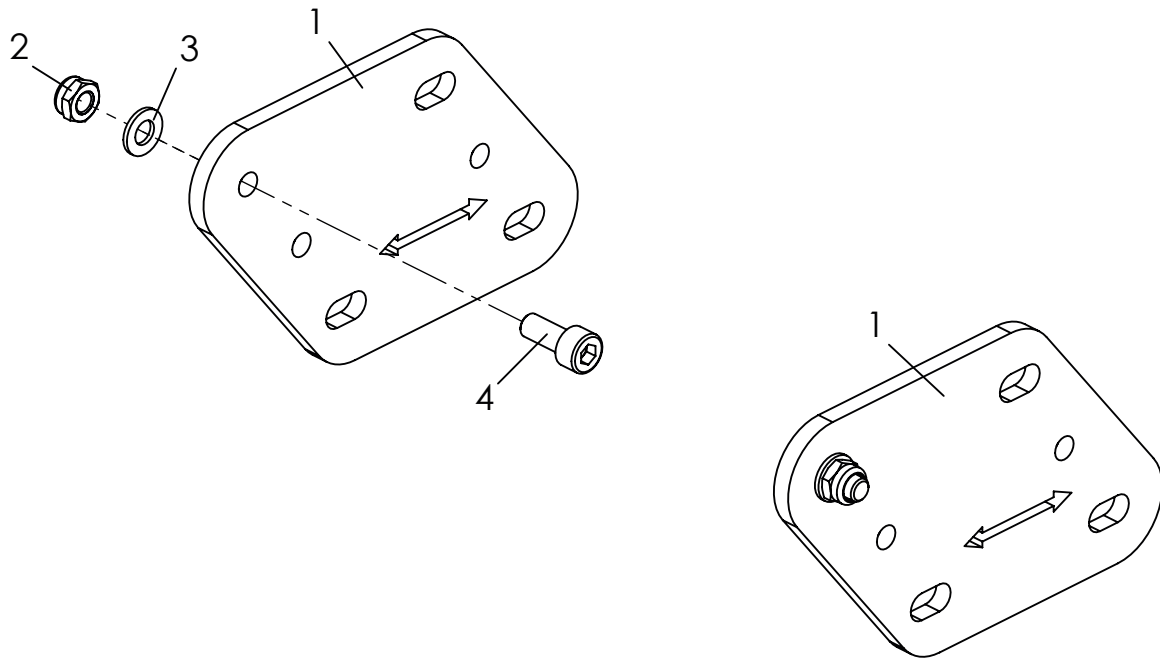
\* Cross tube must be added with 2 for correct SW (SW 28 + 2=30)

# Spare parts



Pos	Article number	Articel description	Quantity	Unit
<b>1-24</b>	<b>3248-1200E</b>	<b>Central unit, complete, without pressure plates</b>	<b>1</b>	<b>Set</b>
1	3240-1340-007	Position adapter, black adodised	2	Pc.
2	3248-1251-015	Base plate left, black	1	Pc.
3	3248-1252-015	Base plate right, black	1	Pc.
4	3248-1255-015	Adapterplate left, black	1	Pc.
5	3248-1256-015	Base plate right, black	1	Pc.
6	3248-1261-015	Tilt bearing left, black	1	Pc.
7	3248-1262-015	Tilt bearing right, black	1	Pc.
8	3248-1264	Guiding bushing tilt bearing	6	Pc.
9	3245-1211-006	Clamping adapter, anodised	2	Pc.
10	1055-0006	Washer A6,4	2	Pc.
11	1042-0006	Hexagon nut self-locking M6	18	Pc.
12	1051-0006	Washer A6,4	20	Pc.
13	1029-0635	Button head socket screw M6x35	4	Pc.
14	1021-0845	Cylinder head screw M8x45	2	Pc.
15	1029-0655	Button head socket screw M6x55	2	Pc.
16	1029-0660	Button head socket screw M6x60	2	Pc.
17	1022-0865	Hexagon socket head cap screw M8x65	2	Pc.
18	1051-0008	Washer A8,4	2	Pc.
19	1042-0008	Hexagon nut self-locking M8	2	Pc.
20	1052-0008	Spring washer B8	2	Pc.
21	1029-0820	Button head socket screw M8x20	2	Pc.
22	1024-0627	Hexagon socket countersunk head screw M6x27	6	Pc.
23	3248-1156	Seat rail 100	4	Pc.
24	1029-0616	Button head socket screw M6x16	4	Pc.
<b>25</b>	<b>3248-1265E-000</b>	<b>Pressure plates, in frame colour</b>	<b>1</b>	<b>Pair</b>

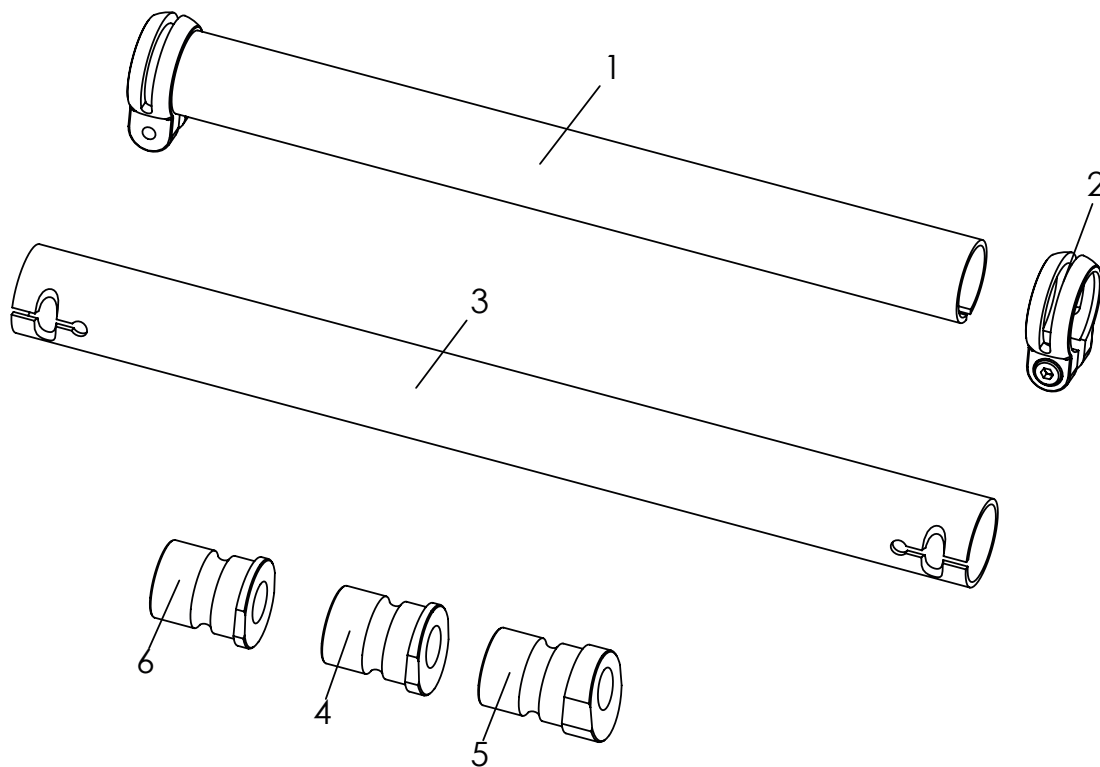
# Spare parts



Pos	Article number	Articel description	Quantity	Unit
<b>1-4</b>	<b>3248-1265E-000</b>	<b>Pressure plates, in frame colour</b>	<b>1</b>	<b>Pair</b>
2	1051-0005	Washer A5,3	2	Pc.
3	1021-0512	Cylinder head screw M5x12	2	Pc.
4	1042-0005	Hexagon nut self-locking M5	2	Pc.



# Spare parts

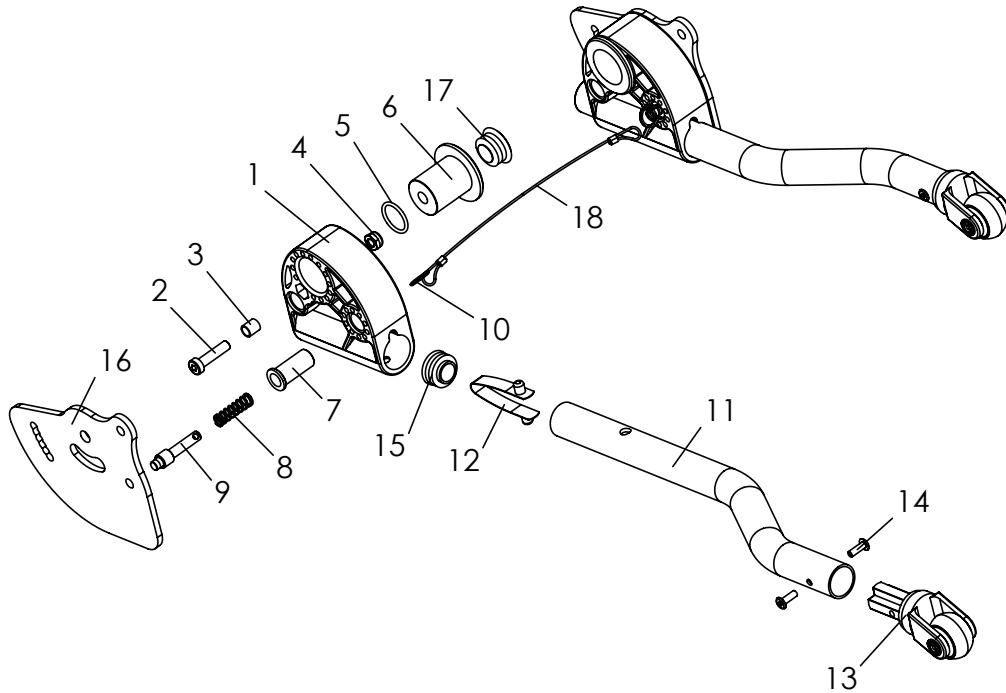


Pos	Article number	Article description	Quantity	Unit
1*	3246-12SW-007	Cross tube	1	Pc.
2	1129-0010	Saddle clamp d 29,8 mm black	2	Pc.
3**	3240-14SW-007	Axle tube	1	Pc.
4	3240-1352-006	Adapter housing 6°, anodised	2	Pc.
5	3240-1362-006	Adapter housing 9°, anodised	2	Pc.
6	3240-1372-006	Adapter housing 3°, anodised	2	Pc.

1. Cross tube must be completed with SW of Wheel chair

3. Axle tube must be added with 2 for correct SW (SW 28 + 2=30)

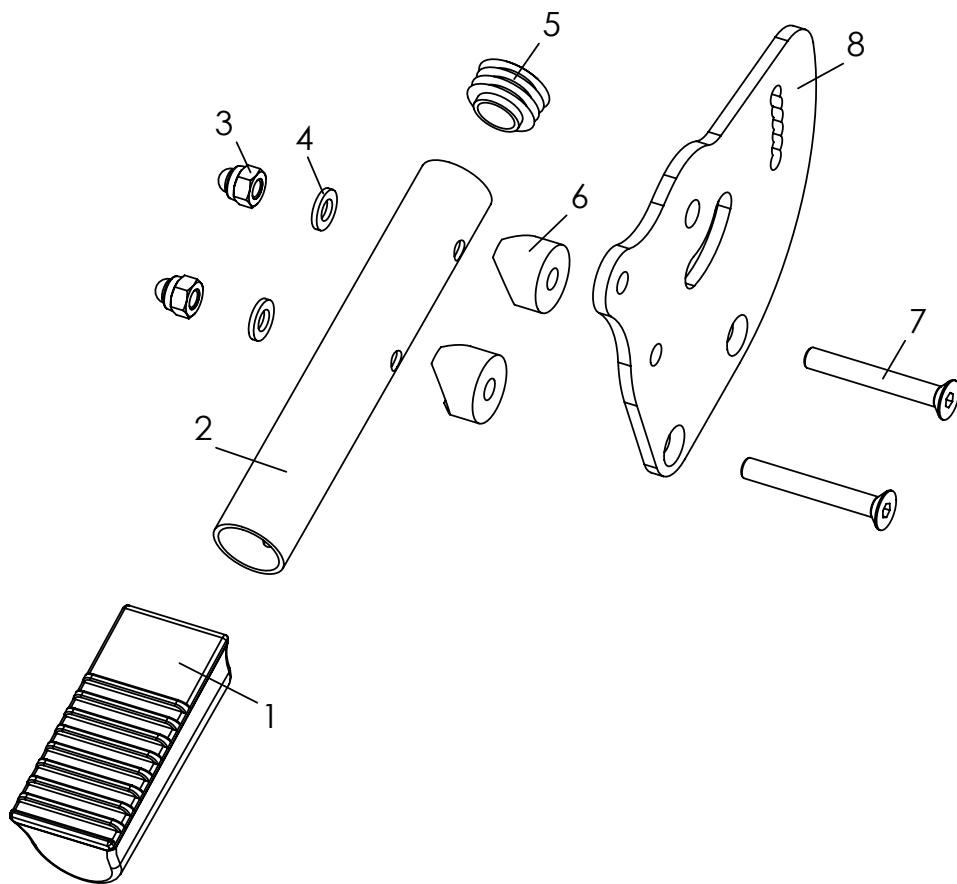
# Spare parts



Pos	Article number	Articel description	Quantity	Unit
<b>1-17</b>	<b>3248-1801E</b>	<b>Anti tip left</b>	<b>1</b>	<b>Pc.</b>
	<b>3248-1802E</b>	<b>Anti tip right</b>	<b>1</b>	<b>Pc.</b>
1	3248-1821	Anti tip holder	1	Pc.
2	1022-0625	Hexagon socket head cap screw M6x25	1	Pc.
3	1114-0055	Bushing 8x0,8x8,7	1	Pc.
4	1042-0006	Hexagon nut self-locking M6	1	Pc.
5	1150-0001	O-ring NBR D18x2	1	Pc.
6	3248-1812	Bearing shaft	1	Pc.
7	3201-7520	Spring housing	1	Pc.
8	1131-0036	Compression spring D-127d 0,8x8,3x29	1	Pc.
9	3201-7530	Lock pin	1	Pc.
10	1129-0036	Key ring 16x1,6	1	Pc.
11-15	3248-1861E	SBO-VTi anti tip tube, left complete	1	Pc.
	3248-1862E	SBO-VTi anti tip tube, right complete	1	Pc.
11	3248-1831-007	Anti tip tube	1	Pc.
12	1134-0008	Snap button D-131	1	Pc.
13	1249-0007	Insertion fork and castor	1	Pc.
14	1062-0412-006	Blind rivit F4x8	2	Pc.
15	1141-0008	Ribbed insert SFL 22x0,8-3,0	1	Pc.
16	3248-1811-015	Guide plate anti-tilt	1	Pc.
17	1141-0009	Ribbed insert 25x1-2,5	2	Pc.
18	3248-188x	Wire-rope for VTi twin anti tippers, SW 24	1	Pc.

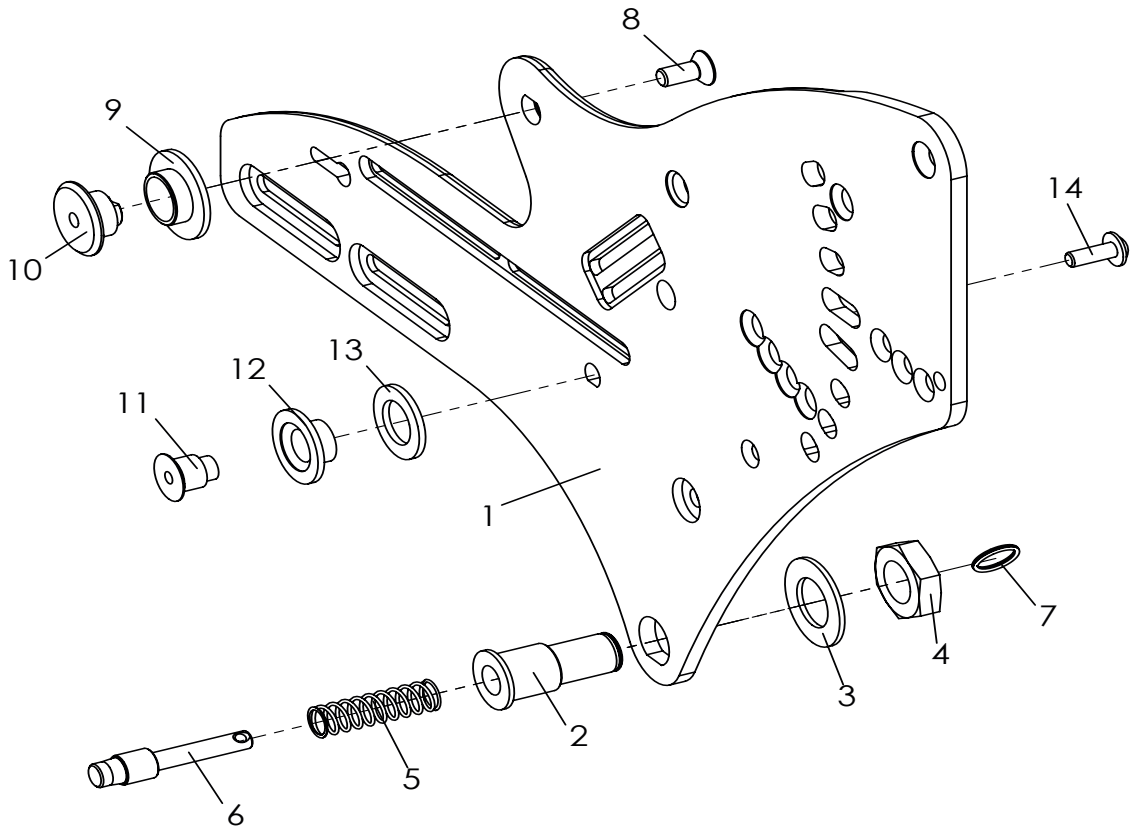
SW =	24	26	28	30	32	34	36	40	44
X =	1	2	3	4	5	6	7	8	9
Please specify the appropriate number w hen ordering!									

# Spare parts



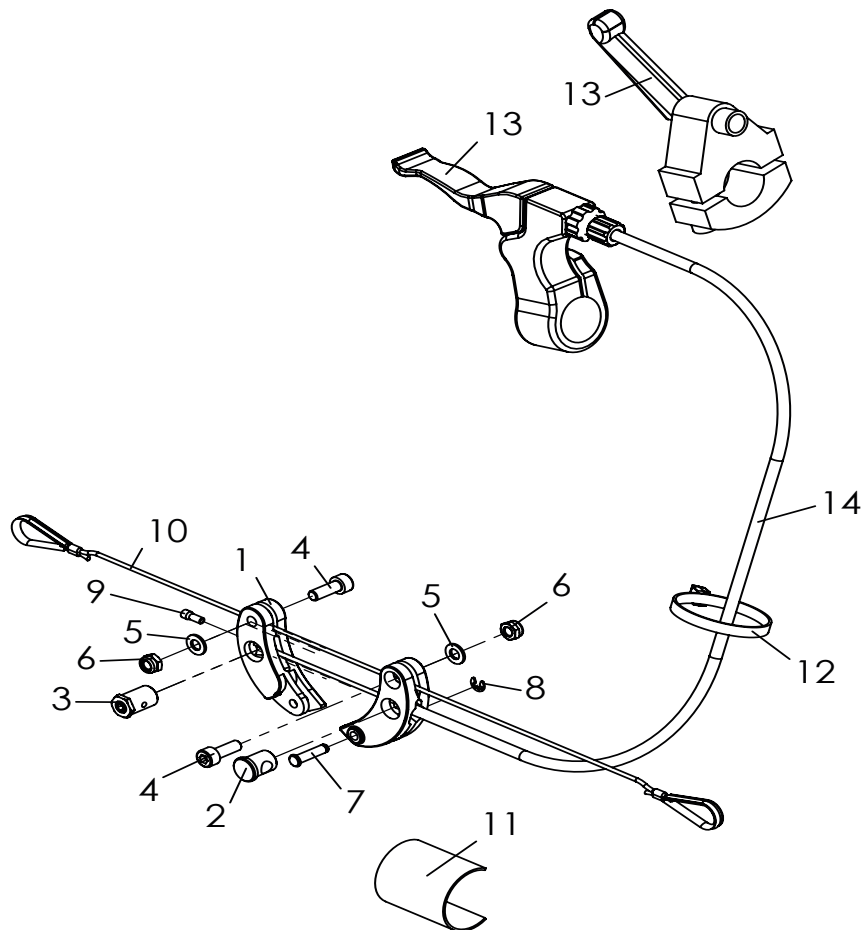
Pos	Article number	Articel description	Quantity	Unit
<b>1-8</b>	<b>SA-0306/1-KP</b>	<b>Tip assist left</b>	<b>1</b>	<b>Pc.</b>
	<b>SA-0306/2-KP</b>	<b>Tip assist right</b>	<b>1</b>	<b>Pc.</b>
1	7000-0068	Pedal D22 72x33 mm	1	Pc.
2	3245-5724_SA-0306	Cross tube SW24 with drilling for tip assist	1	Pc.
3	1044-0006	Hexagonal domed cap nut self-locking M6	2	Pc.
4	1051-0006	Washer A6,4 zp DIN/ISO 125 A6,4	2	Pc.
5	1141-0008	Ribbed insert SFL 22x0,8-3,0 black	1	Pc.
6	1111-0015	Saddle washer PA black 20x6,4x8	2	Pc.
7	1024-0645	Hexagon socket countersunk head screw M6x45	2	Pc.
8	3248-1811-015_SA-0306/1	Guide plate anti-tilt left	1	Pc.
	3248-1811-015_SA-0306/2	Guide plate anti-tilt right	1	Pc.

# Spare parts



Pos	Article number	Articel description	Quantity	Unit
<b>1-14</b>	<b>3248-1512E-015</b>	<b>Seat adapter left, complete</b>	<b>1</b>	<b>Pc.</b>
	<b>3248-1513E-015</b>	<b>Seat adapter right, complete</b>	<b>1</b>	<b>Pc.</b>
1	3248-1512-015	Seat adapter left, black	1	Pc.
	3248-1513-015	Seat adapter right, black	1	Pc.
2	3246-1145	Bolt housing	1	Pc.
3	1052-0016	Spring washer B16	1	Pc.
4	1040-0016	Hexagon nut 16x 1,5	1	Pc.
5	1131-0070	Compression D-162	1	Pc.
6	3240-2422	Locking bolt	1	Pc.
7	1129-0036	Key ring 16x1,6	1	Pc.
8	1024-0614	Hexagon socket countersunk head screw M6x14	1	Pc.
9	3246-1146	Bushing 30x18x15x7,2	1	Pc.
10	3246-1147	Bearing axle tipping	1	Pc.
11	3246-1521	Stop pin	1	Pc.
12	3246-1522	Stop bushing	1	Pc.
13	1113-0052	Washer PA 15x25x2	1	Pc.
14	1030-0514	Button head socket screw with flange M5x14	1	Pc.

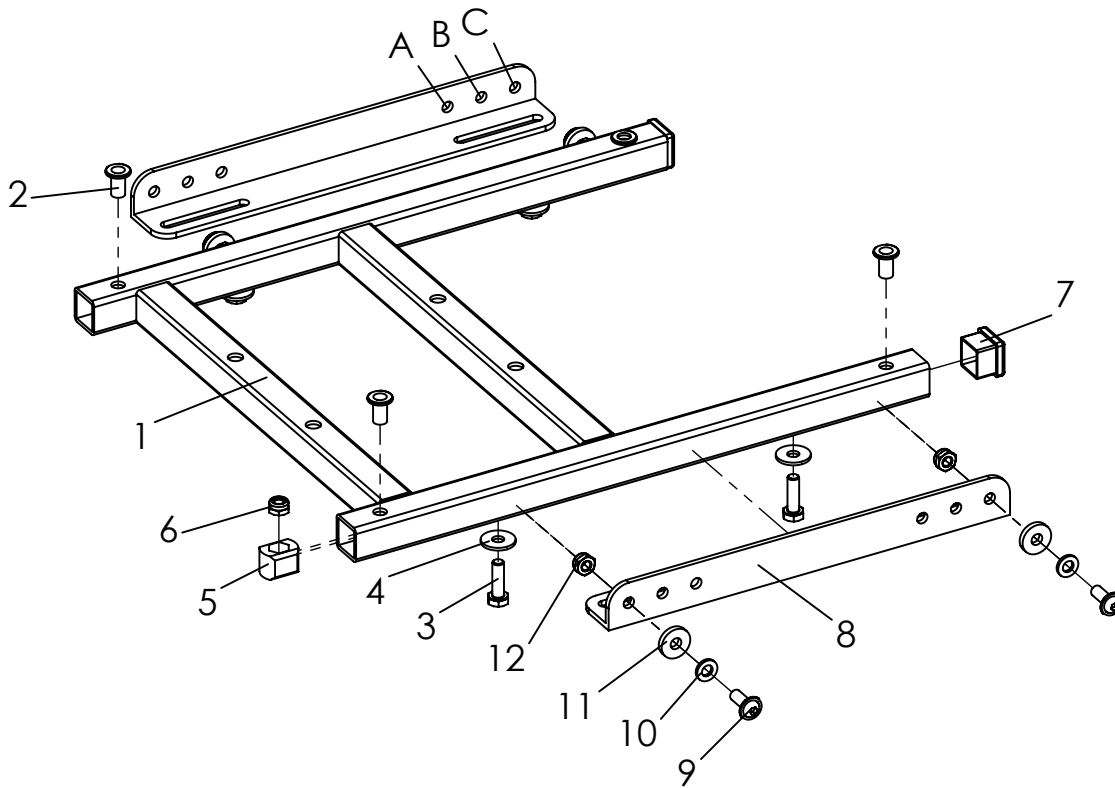
# Spare parts



Pos	Article number	Articel description	Quantity	Unit
<b>1-12</b>	<b>3246-19SWE</b>	<b>Tilt adjustment</b>	<b>1</b>	<b>Pc.</b>
1-9	1209-1260E	Cable gearing with fasteners	1	Set.
1	1209-1261	Pull lever	2	Pc.
2	1209-1262	Bowden cable bracket	1	Pc.
3	1099-0025	Screw nipple D10x16 mm	1	Pc.
4	1021-0512	Hexagon socket head cap screw M5x12	2	Pc.
5	1051-0005	Washer A5,3	2	Pc.
6	1042-0005	Hexagon nut self-locking zp M5	2	Pc.
7	3257-1715	Security pin 15	1	Pc.
8	1081-0003	Security washer verz. 3,2	1	Pc.
9	1209-0007	End cap aluminium U-BA-S for Bowden cable wire	1	Pc.
10	3246-198X	Release wire rope with thimbles	1	Pc.
	1099-0018	Rope thimble	2	Pc.
	1089-0005	Cable clamp	2	Pc.
	1129-0011	Wire-rope 1,2x1,8 mm	1	Pc.
11	1500-0013	velcro self-adhesive 38mm	0,1	m
12	1089-0004	Cable tie, black, 5x180	1	Pc.
13	1209-0017	Brake lever with splittet bracket, d 22 mm black	1	Pc.
	1209-0036	Release lever D22 (for push bar "wide")	1	Pc.
14	1209-0016	Bowden cable BZ-1100x1230-HOG for brake lever with splittet bracket	1	Pc.
	1209-0037	Bowden cable for release lever 1500/2000	1	Pc.

SW =	24	26	28	30	32	34	36
X =	1	2	3	4	5	6	7
Please specify the appropriate number w hen ordering!							

# Spare parts



Pos	Article number	Articel description	Quantity	Unit
<b>1-13</b>	<b>3248-23SWE-015</b>	<b>Seat frame complete with support brackets</b>	<b>1</b>	<b>Pc.</b>
1-7	3248-22SWE-015	Seat frame with fasteners, black	1	Pc.
2	1049-0063	Rivet nut	4	Pc.
3	1011-0620	Hexagon head screw M6x20	4	Pc.
4	1055-0006	Washer A6,4	4	Pc.
5	3231-2262	Clamping block	4	Pc.
6	1042-0006	Hexagon nut self-locking M6	4	Pc.
7	1141-0020	Ribbed insert VL 20	2	Pc.
8	3248-1551-015	Support bracket	2	Pc.
9	1030-0616	Button head socket screw with flange M6x16	4	Pc.
10	1051-0006	Washer A6,4	4	Pc.
11	1059-0003	Washer 17/6,4x3	4	Pc.
12	1042-0006-033	Hexagon nut self-locking black M6	4	Pc.
13	1030-0516	Button head socket screw with flange zp M5x16	4	Pc.

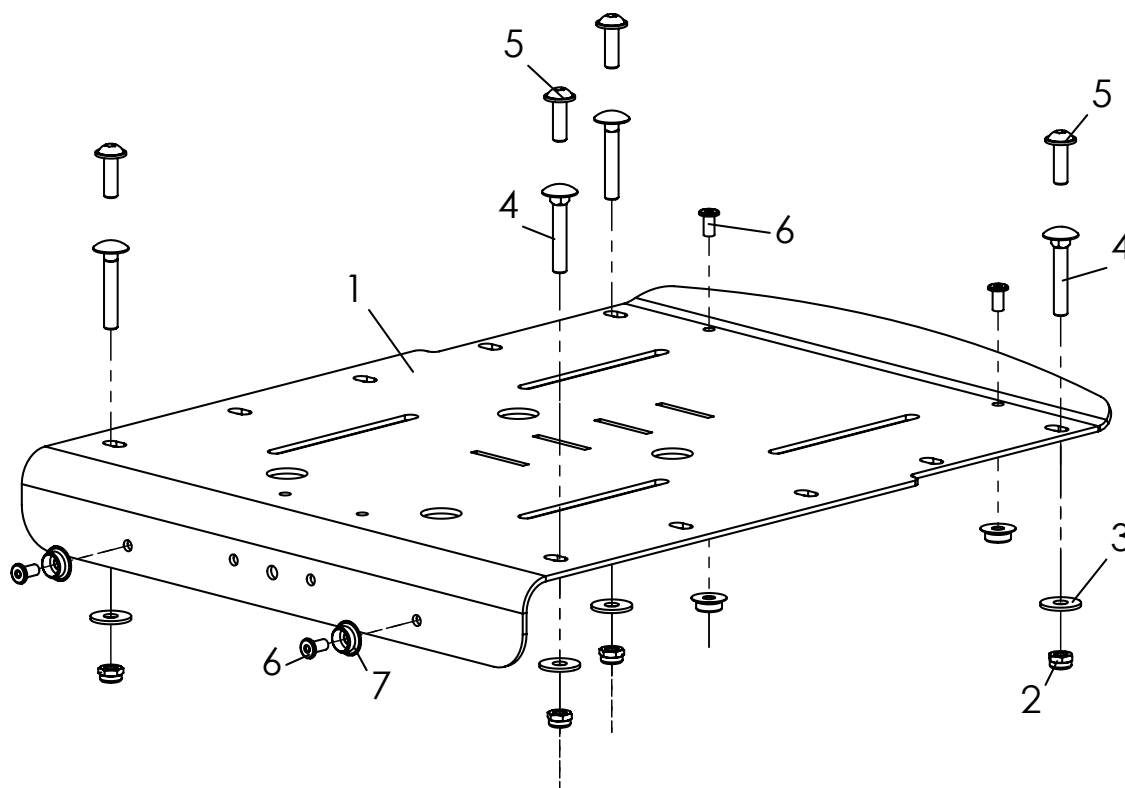
rear screw position support bracket (Pos. 3248-1551-015)

SW =	24	26	28	30	32	34	36
Pos. =	A	A	A	B	C	C	C

Article number 3248-22SWE-015 (Pos. 1-7) only for models built from 12/2023.

Article number 3248-23SWE-015 (Pos. 1-13) for Models built before 12/2023

# Spare parts



Pos	Article number	Articel description	Quantity	Unit
<b>1-5</b>	<b>3246-24SW-015</b>	<b>Seat panel, complete</b>	<b>1</b>	<b>Pc.</b>
1	3246-25SW-015	Seat panel, complete	1	Pc.
2	1042-0005	Hexagon nut self-locking M5	4	Pc.
3	1055-0005	Washer A5,3	4	Pc.
4	1026-0530	Mushroom head square neck bolt M5x30	4	Pc.
5	1030-0516	Button head socket screw with flange zp M5x16	4	Pc.
6*	1061-0406	Blind rivet F4x6	4	Pc.
7*	1533-0005	Ring-ball	4	Pc.

\* Only when using Hoggi seat cushion.

# Spare parts

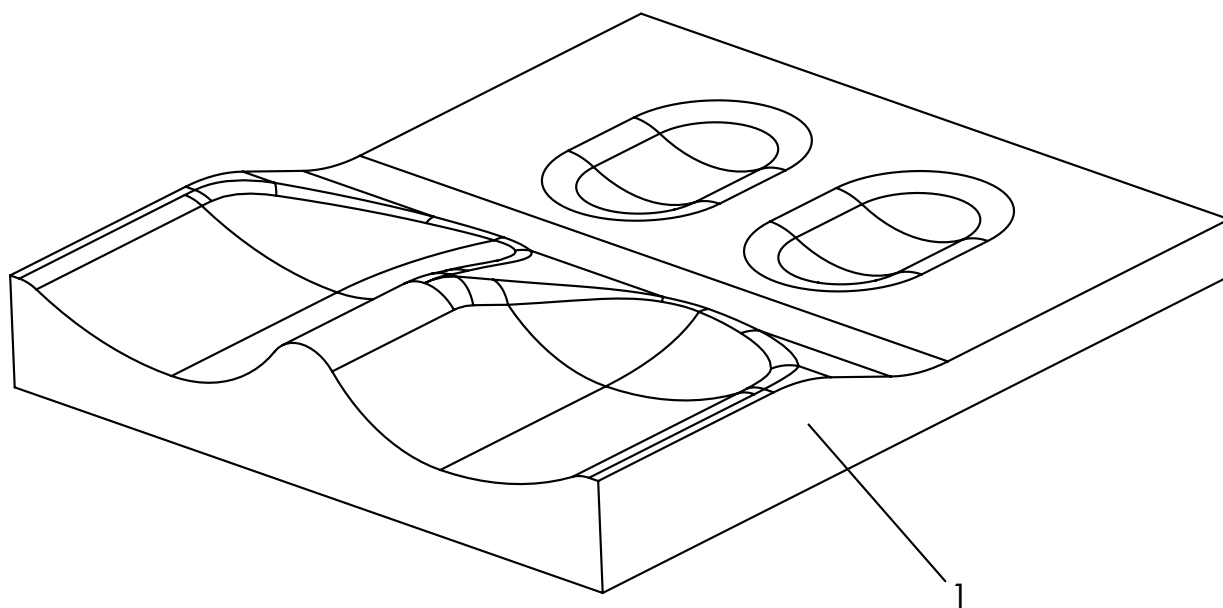


Pos	Article number	Articel description	Quantity	Unit
1	3246-71SW-306	Seat cushion 3 cm thick	1	Pc.
	3246-71SW-346	Seat cushion 3 cm thick, black	1	Pc.
	3246-71SW-SA	Seat cushion 3 cm thick, special color	1	Pc.
2	3245-72SW-306	Back cushion, trough-shaped, 2,5 cm thick	1	Pc.
	3245-72SW-346	Back cushion, trough-shaped, 2,5 cm thick, black	1	Pc.
	3245-72SW-SA	Back cushion, trough-shaped, 2,5 cm thick, special color	1	Pc.
3-4	3245-73SW-306	Back cushion with side parts , 2,5 cm thick	1	Pc.
	3245-73SW-346	Back cushion with side parts , 2,5 cm thick, black	1	Pc.
	3245-73SW-SA	Back cushion with side parts , 2,5 cm thick, special color	1	Pc.
4	3245-7615-306	Side parts for back cushion, SW 24-44	1	Pair
5	3246-77SW-306	Seat cushion 3 cm thick, with cut out for hip support	1	Pc.
	3246-77SW-346	Seat cushion 3 cm thick, with cut out for hip support, black	1	Pc.
	3246-77SW-SA	Seat cushion 3 cm thick, with cut out for hip support, special design	1	Pc.

Color codes	306 =	black check
	346 =	black
	SA-0390 =	special colour
		321 = Spacer fabric, black
		347 = Berry Soft
		348 = Grey Soft
		349 = Turquoise Sof



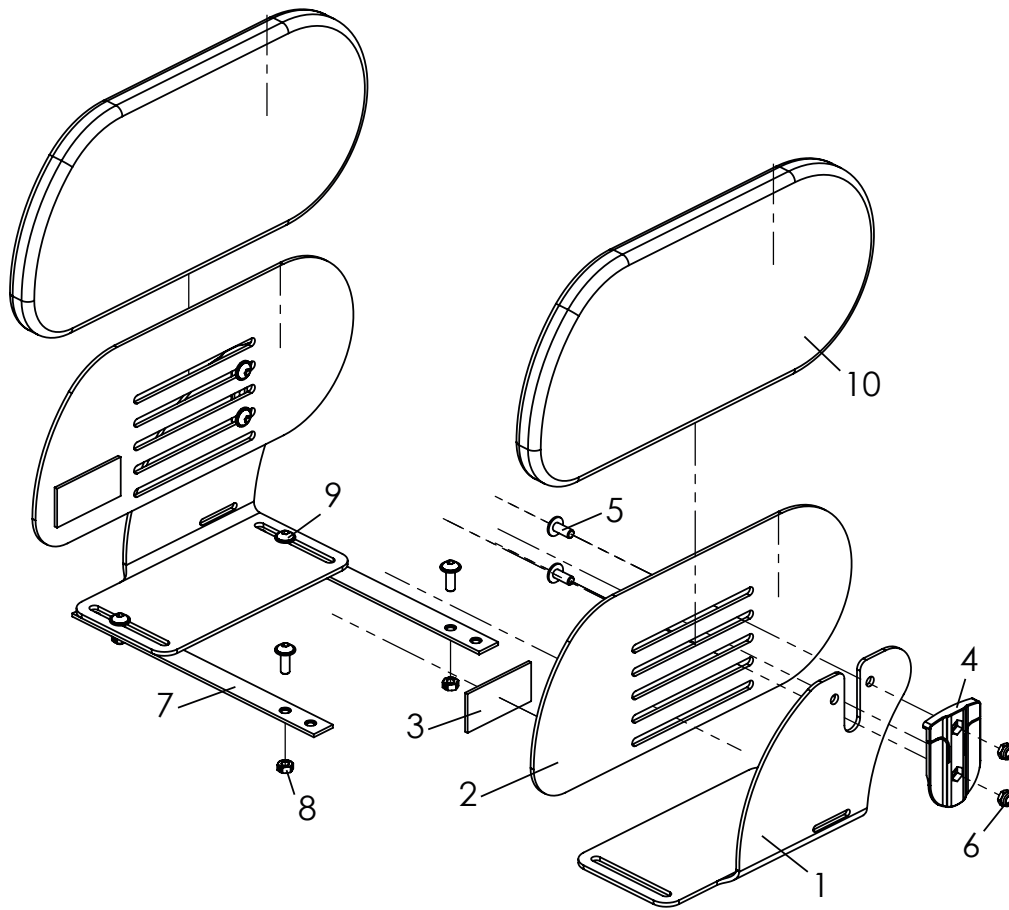
# Spare parts



Pos	Article number	Article description	Quantity	Unit
1	3246-80SW-346	Contoured seat cushion with cover, black	1	Pc.
	3246-80SW-SA	Contoured seat cushion with cover, special color	1	Pc.

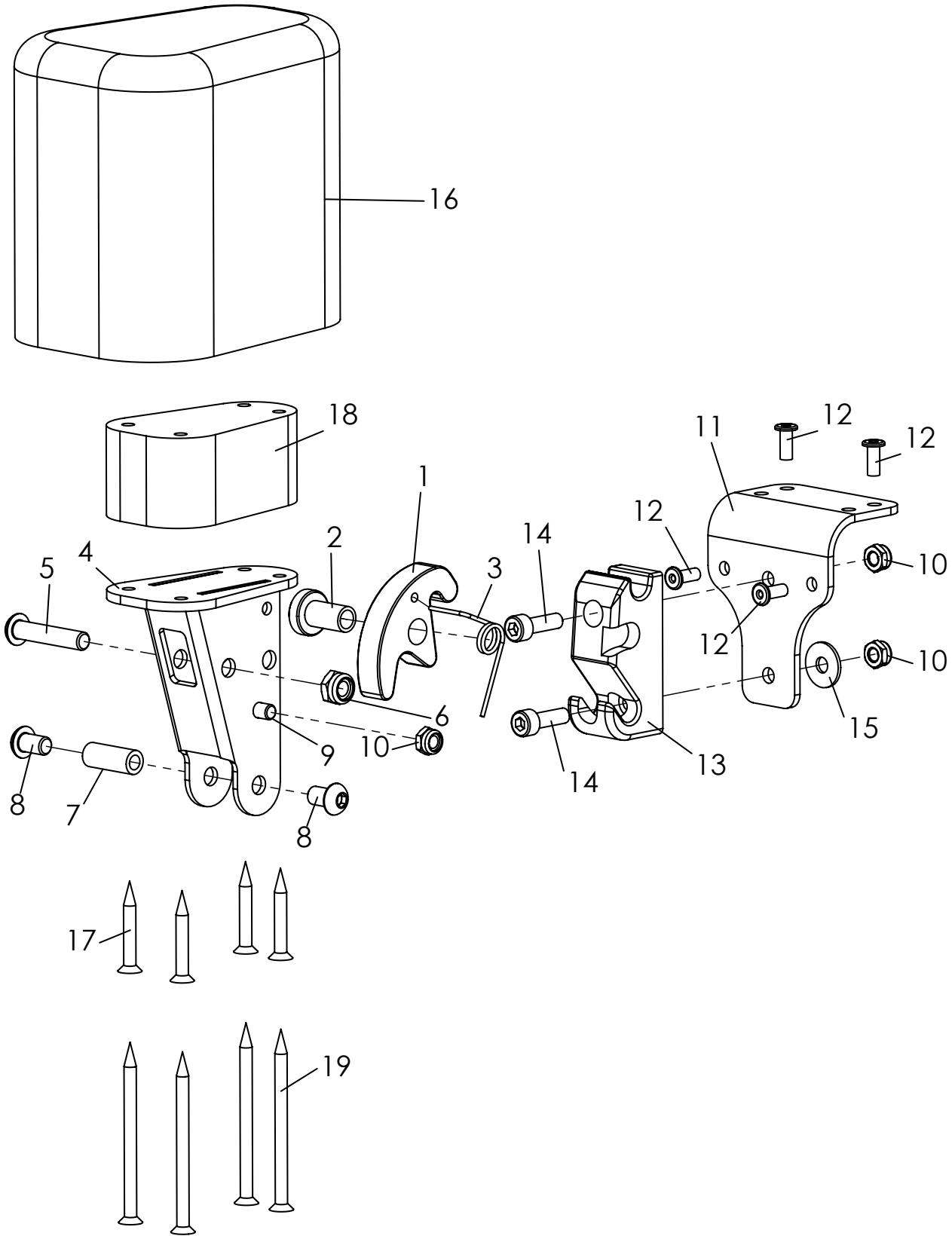
Color codes	306 =	black check
	346 =	black
	SA-0390 =	special colour
		321 = Spacer fabric, black
		347 = Berry Soft
		348 = Grey Soft
		349 = Turquoise Sof

# Spare parts



Pos	Article number	Articel description	Quantity	Unit
<b>1-9</b>	<b>3248-6501-346</b>	<b>Hip support size 1, black</b>	<b>1</b>	<b>Pc.</b>
	<b>3248-6502-346</b>	<b>Hip support size 2, black</b>	<b>1</b>	<b>Pc.</b>
1	3248-6511-001	Bracket for hip supports size 1, left	1	Pc.
	3248-6512-001	Bracket for hip supports size 1, right	1	Pc.
2	3248-6521-001	Straight hip pad size 1, black	1	Pc.
	3249-6521-001	Straight hip pad size 2, black	1	Pc.
3	1501-0003	Hook strap black 25mm self adhesive	0,2	Pc.
4	3231-2622	Locking hinge	2	Pc.
5	1030-0512	Button head socket screw with flange M5x12	8	Pc.
6	1042-0005	Hexagon nut self-locking M5	4	Pc.
7	3245-6510	Threaded strip size. 1	2	Pc.
8	1049-0066	BILOC-nut M5	4	Pc.
9	1030-0514	Button head socket screw with flange M5x14	4	Pc.
10	3248-6550-346	Hip upholstery size 1 black	1	Pc.
	3249-6550-346	Hip upholstery size 2 black	1	Pc.

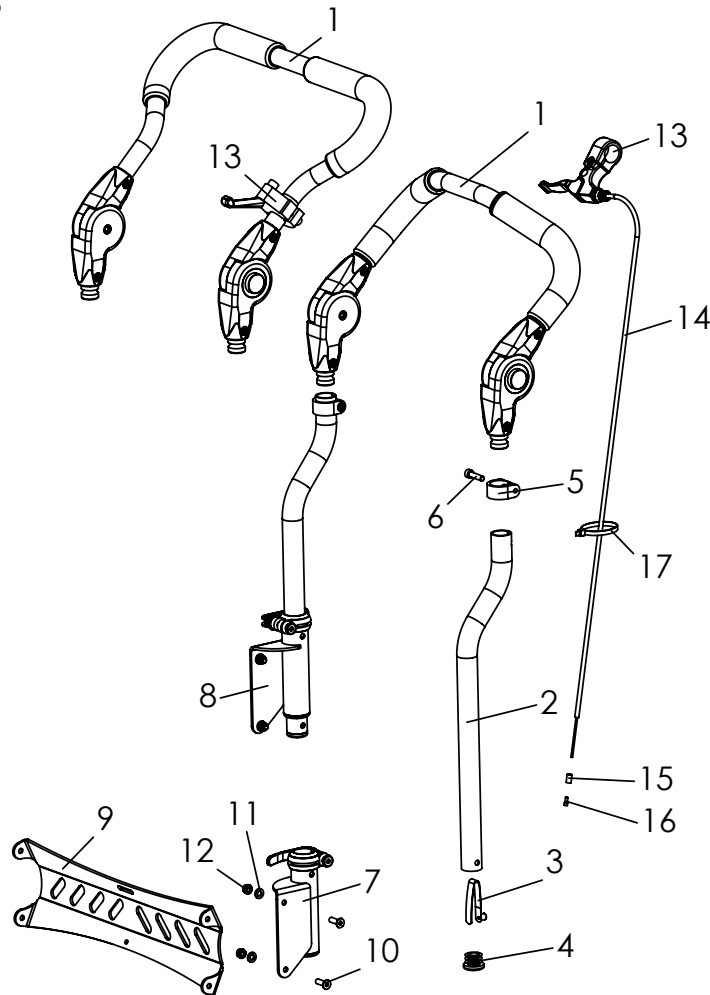
# Spare parts



# Spare parts

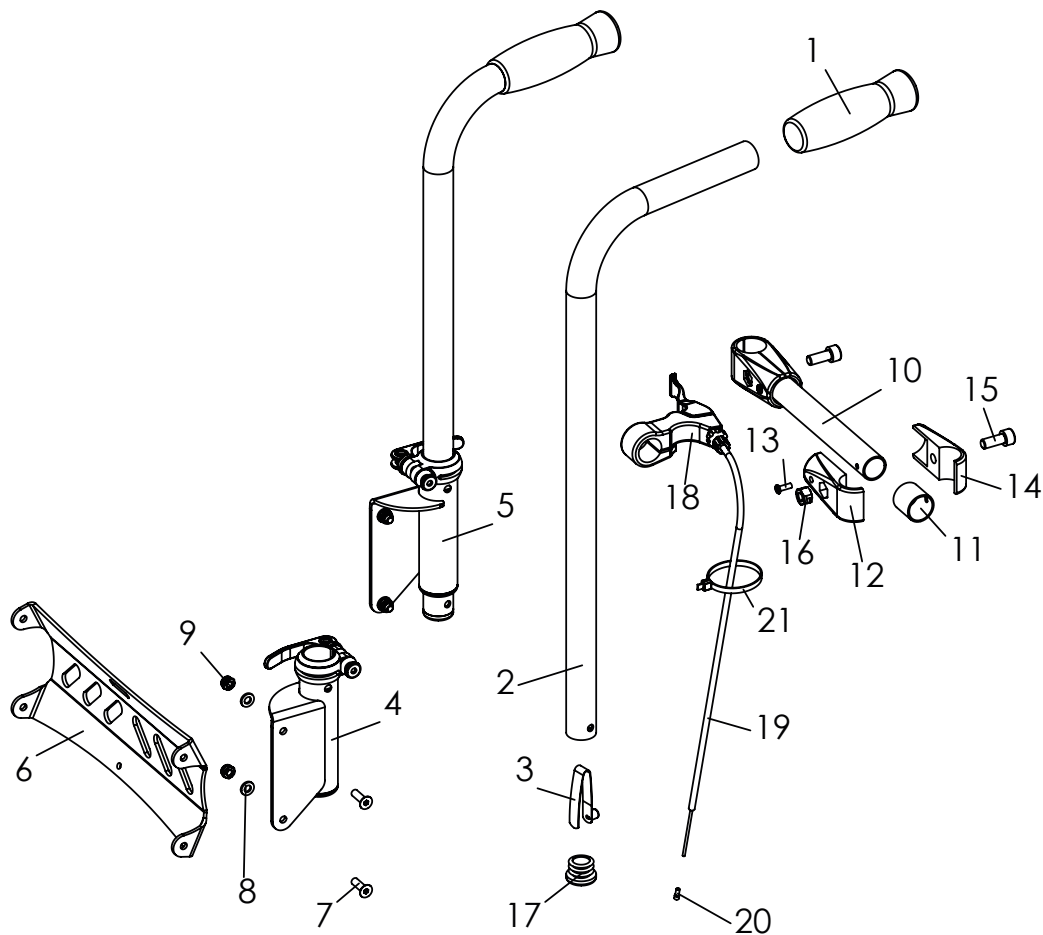
Pos	Article number	Articel description	Quantity	Unit
1-17	<b>3231-7800</b>	<b>Abduction block size 1 swing&amp;detachable, without cover</b>	<b>1</b>	<b>Pc.</b>
	<b>3231-7900</b>	<b>Abduction block size 2 swing&amp;detachable, without cover</b>	<b>1</b>	<b>Pc.</b>
	3233-7800	<b>Abduction block size 3 swing&amp;detachable, without cover</b>	1	Pc.
1	3231-7841	Arresting clamp	1	Pc.
2	3231-7842	Bearing arresting clamp	1	Pc.
3	3231-7843	Leg spring 1,25 x 9,25 x 2,25	1	Pc.
4	3231-7820-032	A-wedge support	1	Pc.
5	1029-0630	Button head socket screw M6x30	1	Pc.
6	1042-0006	Hexagon nut self-locking 985 M6	1	Pc.
7	1114-0067	Threaded bushing 8xM6x20	1	Pc.
8	1030-0608	button head socket screw with flange zp M6x8	2	Pc.
9	1021-0508	Cylinder head screw M5x8	1	Pc.
10	1042-0005	Hexagon nut self-locking M5	3	Pc.
11	3231-7831-032	Base plate abduction block receiver	1	Pc.
12	1062-0410	Blind rivet F4x10	4	Pc.
13	3231-7832	Arresting part for A-wedge	1	Pc.
14	1021-0516	Hexagon socket head cap screw M5x16	2	Pc.
15	1055-0005	Washer A5,3	1	Pc.
16	3201-7810	Wood wedge size 1 with PU-foam	1	Pc.
	3201-7910	Wood wedge size 1 with PU-foam	1	Pc.
	3203-7810	Wood wedge size 1 with PU-foam	1	Set
17	1028-0430	Pressboard screw countersunk head 4x30	4	Pc.
18	3231-7821_SA-0286/2	Spacer plate for A-wedge 30 mm	1	Pc.
19	1028-0460	Pressboard screw countersunk head 4x60	4	Pc.
	3201-7840-346	Cover for abduction block size 1 black	1	Pc.
	3201-7940-346	Cover abduction block size 2 black	1	Pc.
	3203-7840-346	Cover for abduction block size 3 black	1	Pc.

# Spare parts



Pos	Article number	Articel description	Quantity	Unit
<b>1-17</b>	<b>3245-55SWE</b>	<b>Push bar, detachable</b>	<b>1</b>	<b>Set.</b>
	<b>3245-58SWE</b>	<b>Push bar "wide", detachable</b>	<b>1</b>	<b>Set</b>
1	3240-5550E	Push bar upper part size 1, complete, from SW 24 up to SW 34	1	Pc.
	3240-5560E	Push bar upper part size 2, complete, from SW 36 up to SW 40	1	Pc.
	3240-5570E	Push bar upper part size 3, complete, for SW 44	1	Pc.
	3275-5450E	Push-bar "wide" upper part size 1, complete, from SW 24 up to SW 34	1	Pc.
	3275-5460E	Push-bar "wide" upper part size 2, complete, from SW 36 up to SW 40	1	Pc.
	3275-5470E	Push-bar "wide" upper part size 3, complete, for SW 44	1	Pc.
2	3245-3113-007	Push bar bottom part, anodised, black	2	Pc.
3	1134-0006	Snap button B 141	2	Pc.
4	1141-0015	Ribbed insert GL 25x1-2.5	2	Pc.
5	3240-5553-007	Clamping ring, anodised	2	Pc.
6	1021-0625	Hexagon socket head cap screw M6x25	2	Pc.
7	3245-5150E	Handle bracket left, complete	1	Pc.
8	3245-5170E	Handle bracket right, complete	1	Pc.
9	3245-52SW-015	Slide valve cross bar, structural black	1	Pc.
10	1024-0620	Hexagon socket countersunk head screw M6x20	4	Pc.
11	1051-0006	Washer A6,4	4	Pc.
12	1042-0006	Hexagon nut self-locking M6	4	Pc.
13	1209-0017	Brake lever with splittet bracket, d 22 mm black	1	Pc.
	1209-0036	Release lever D22 (for push bar "wide")	1	Pc.
14	1209-0016	Bowden cable BZ-1100x1230-HOG for brake lever with splittet bracket	1	Pc.
	1209-0037	Bowden cable for release lever 1500/2000	1	Pc.
15	1209-0006	End cap brass U-BA-H for Bowden cable cover	1	Pc.
16	1209-0007	End cap aluminium U-BA-S for Bowden cable wire	1	Pc.
17	1089-0004	Cable tie, black, 5x180	1	Pc.

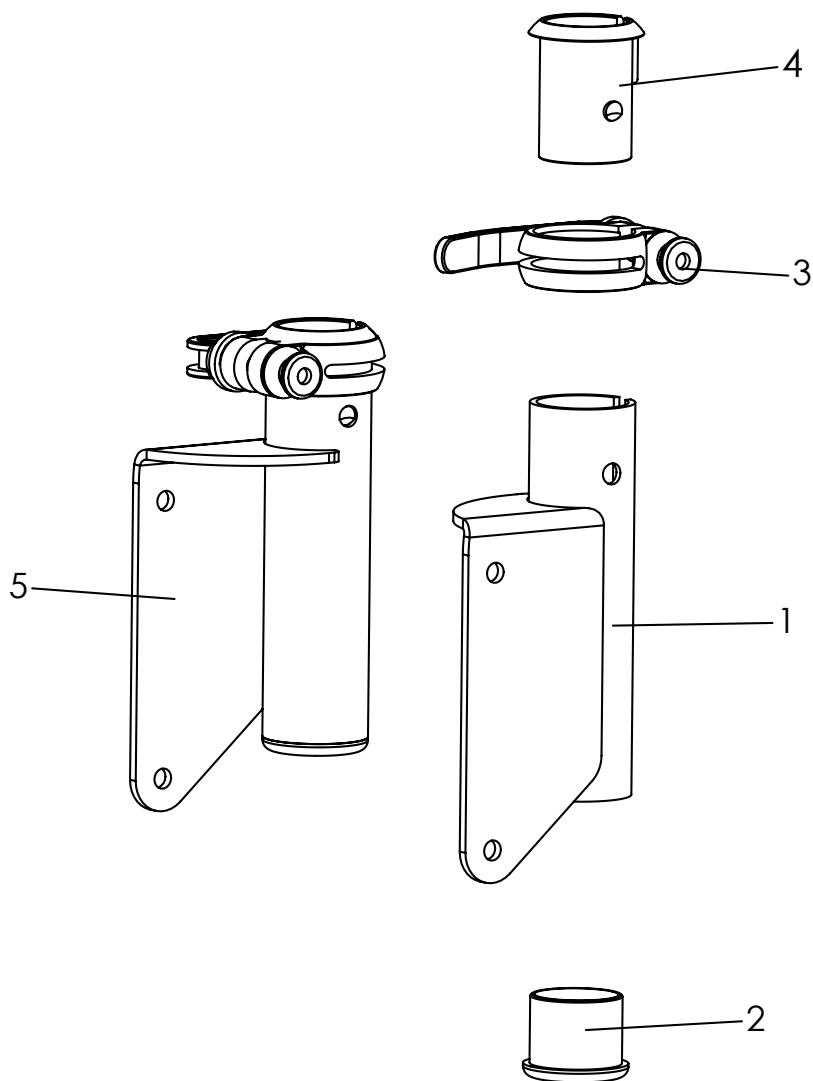
# Spare parts



Pos	Article number	Articel description	Quantity	Unit
<b>1-21</b>	<b>3245-56SWE</b>	<b>Push handle with handle grip, complete</b>	<b>1</b>	<b>Set.</b>
1	1143-0005	Handle grip black d25 x 120	1	Set
2	3240-5311-007	Bent tube push handle, anodised black	1	Pc.
3	1134-0006	Snap button B 141 7,7x9,4	1	Pc.
4	3245-5150E	Push-handle adapter, left	1	Pc.
5	3245-5170E	Push-handle adapter, right	1	Pc.
6	3245-52SW-015	Slide valve cross bar	1	Pc.
7	1024-0620	Hexagon socket countersunk head screw M6x20	1	Pc.
8	1051-0006	Washer A6,4	4	Pc.
9	1042-0006	Hexagon nut self-locking M6	4	Pc.
<b>10-16</b>	<b>3245-57SWE</b>	<b>Cross tube, complete</b>	<b>1</b>	<b>Pc.</b>
10	3245-57SW-015	Cross tube	1	Pc.
11	3245-5711	Reducing bush	2	Pc.
12	1145-0001-015	Tube connector T-90° 25/25 with bore 4,2	2	Pc.
13	1062-0412	Blind rivet F4x12	2	Pc.
14	1145-0002-015	Tube connector T-90° 25/25 4,2	2	Pc.
15	1021-0820	Hexagon socket head cap screw M8x20	2	Pc.
16	1042-0008	Hexagon nut self-locking zp M8	2	Pc.
17	1141-0015	Ribbed insert GL 25x1-2.5	2	Pc.
18	1209-0017	Brake lever with splittet bracket, d 22 mm black	1	Pc.
19	1209-0016	Bowden cable BZ-1100x1230-HOG	1	Pc.
20	1209-0007	End cap aluminium U-BA-S for Bowden cable wire	1	Pc.
21	1089-0004	Cable tie, black, 5x180	1	Pc.

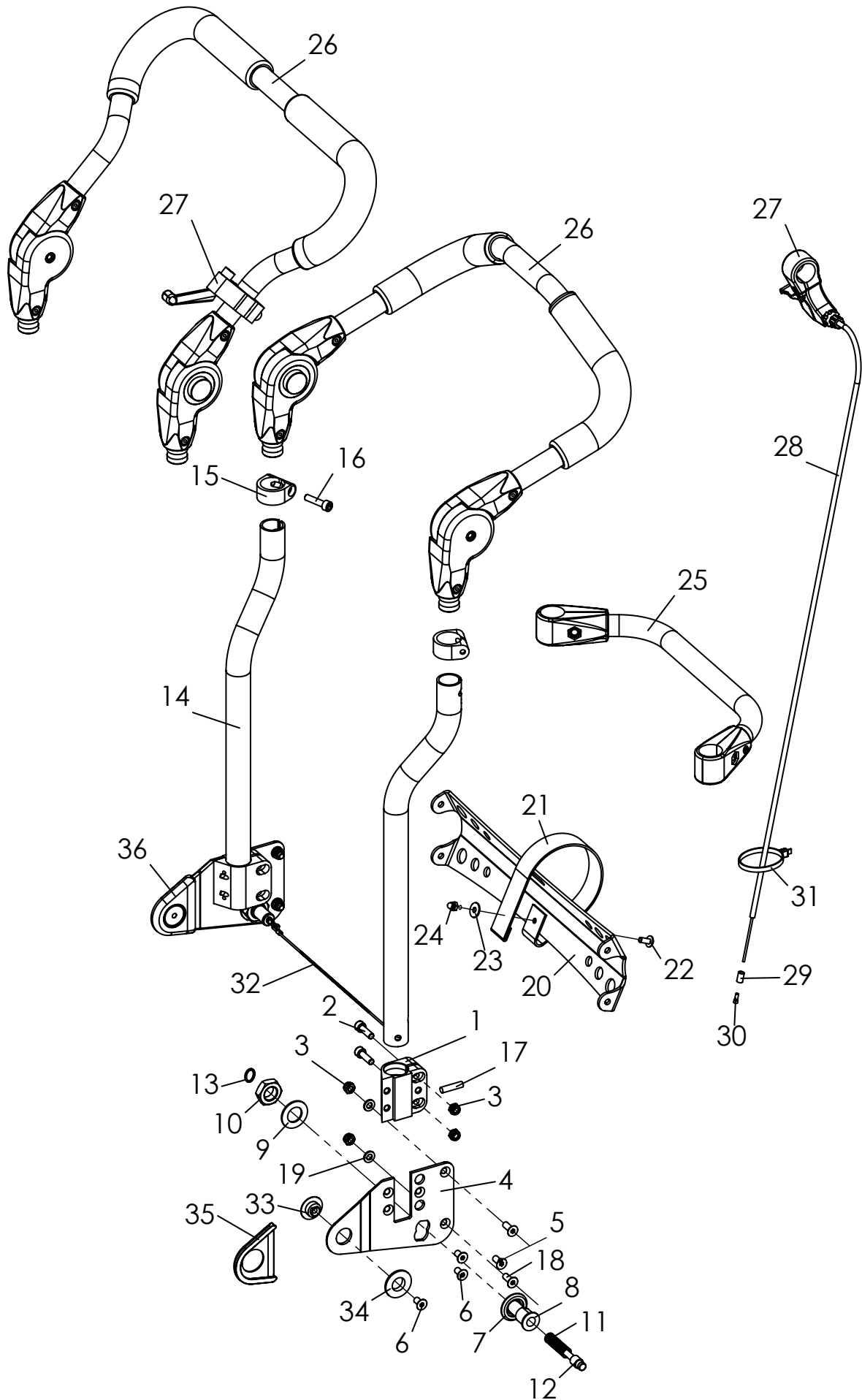
Pos. 15 Tighten screw with max. 15 nm.

# Spare parts



Pos	Article number	Articel description	Quantity	Unit
<b>1-4</b>	<b>3245-5150E</b>	<b>Push-handle adapter left, complete</b>	<b>1</b>	<b>Pc.</b>
<b>2-5</b>	<b>3245-5170E</b>	<b>Push-handle adapter right, complete</b>	<b>1</b>	<b>Pc.</b>
1	3245-5160-015	Push-handle adapter left	1	Pc.
2	3301-1530	Flange bushing	1	Pc.
3	1129-0007	Saddle clamp with quick-release D 31,8	1	Pc.
4	3301-1240	Clamp bushing	1	Pc.
5	3245-5170-015	Push-handle adapter right	1	Pc.

# Spare parts



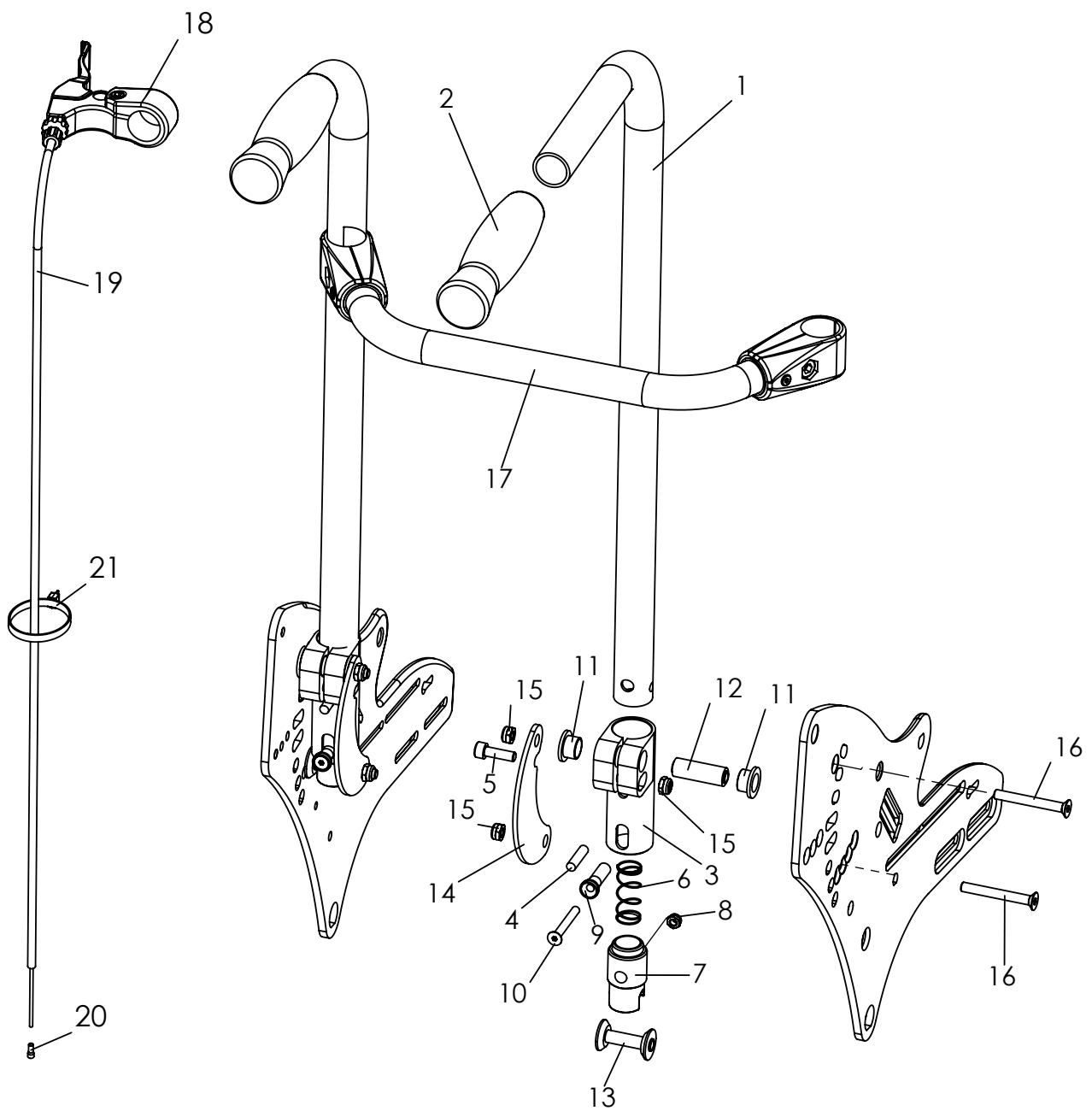


# Spare parts

Pos	Article number	Articel description	Quantity	Unit
<b>1-36</b>	<b>3248-30SWE</b>	<b>Push bar, foldable and angle adjustable</b>	<b>1</b>	<b>Set</b>
	<b>3248-38SWE</b>	<b>Push bar "wide", foldable and angle adjustable</b>	<b>1</b>	<b>Set</b>
1	3248-3511-007	Push-bar adapter, anodised	2	Pc.
2	1021-0620	Hexagon socket head cap screw M6x20	4	Pc.
3	1042-0006	Hexagon nut self-locking M6	8	Pc.
4	3248-3512-015	Back base left	1	Pc.
	3248-3513-015	Back base right	1	Pc.
5	1024-0614	Hexagon socket countersunk head screw M6x14	2	Pc.
6	1024-0612	Hexagon socket countersunk head screw M6x12	6	Pc.
7	3248-3013	Thrust washer	2	Pc.
8	3246-1145	Bolt housing	2	Pc.
9	1052-0016	Spring washer B16	2	Pc.
10	1040-0016	Hexagon nut zp 16x 1,5	2	Pc.
11	1131-0070	Compression D-162 1,0x9,0x36x9,5	2	Pc.
12	3240-2422	Locking bolt	2	Pc.
13	1129-0036	Key ring 16x1,6	2	Pc.
14	3245-3113-007	Push bar bottom part	2	Pc.
15	3240-5553-007	Clamping ring	2	Pc.
16	1021-0625	Hexagon socket head cap screw M6x25	2	Pc.
17	1071-0624	Parallel pin m6x24	2	Pc.
18	1024-0616	Hexagon socket countersunk head screw zp DIN/ISO 7991 M6x16	4	Pc.
19	1051-0006	Washer A6,4	6	Pc.
20	3248-36SW-015	Slid valve cross bar	1	Pc.
21	1512-0012-1	PP strap 25x350 black with a sewn loop opposite the perforation	1	Pc.
22	1030-0512	Button head socket screw with flange M5x12	1	Pc.
23	1055-0005	Washer A5,3	1	Pc.
24	1044-0005	Hexagonal domed cap nut self-locking M5	1	Pc.
<b>25</b>	<b>3245-36SWE</b>	<b>Cross bail, complete</b>	<b>1</b>	<b>Pc.</b>
26	3240-5650E	Push bar upper part, 5 cm longer, size 1, complete, from SW 24 up to SW 34	1	Pc.
	3240-5660E	Push bar upper part, 5 cm longer for break lever, size 2, complete, from SW 36 up to SW 40	1	Pc.
	3240-5670E	Push bar upper part, 5 cm longer for break lever, size 2, complete, for SW 40	1	Pc.
	3275-5450E	Push-bar "wide" upper part size 1, complete, from SW 24 up to SW 34	1	Pc.
	3275-5460E	Push-bar "wide" upper part size 2, complete, from SW 36 up to SW 40	1	Pc.
	3275-5470E	Push-bar "wide" upper part size 3, complete, for SW 44	1	Pc.
27	1209-0017	Brake lever with splittet bracket, d 22 mm black	1	Pc.
	1209-0036	Release lever D22 (for push bar "wide")	1	Pc.
28	1209-0016	Bowden cable BZ-1100x1230-HOG for brake lever with splittet bracket	1	Pc.
	1209-0037	Bowden cable for release lever 1500/2000	1	Pc.
29	1209-0006	End cap brass U-BA-H for Bowden cable cover	1	Pc.
30	1209-0007	End cap aluminium U-BA-S for Bowden cable wire	1	Pc.
31	1089-0004	Cable tie, black, 5x180	1	Pc.
32	3248-308X	Wire-ropc for push handle angle adjustable (SW according to order)	1	Pc.
33	3245-2614	Bearing shaft	2	Pc.
34	3245-2613	Flange bushing	2	Pc.
35	3248-3515	Cover back base left	1	Pc.
36	1089-0004	Cover back base right	1	Pc.

SW =	24	26	28	30	32	34	36
X =	1	2	3	4	5	6	7

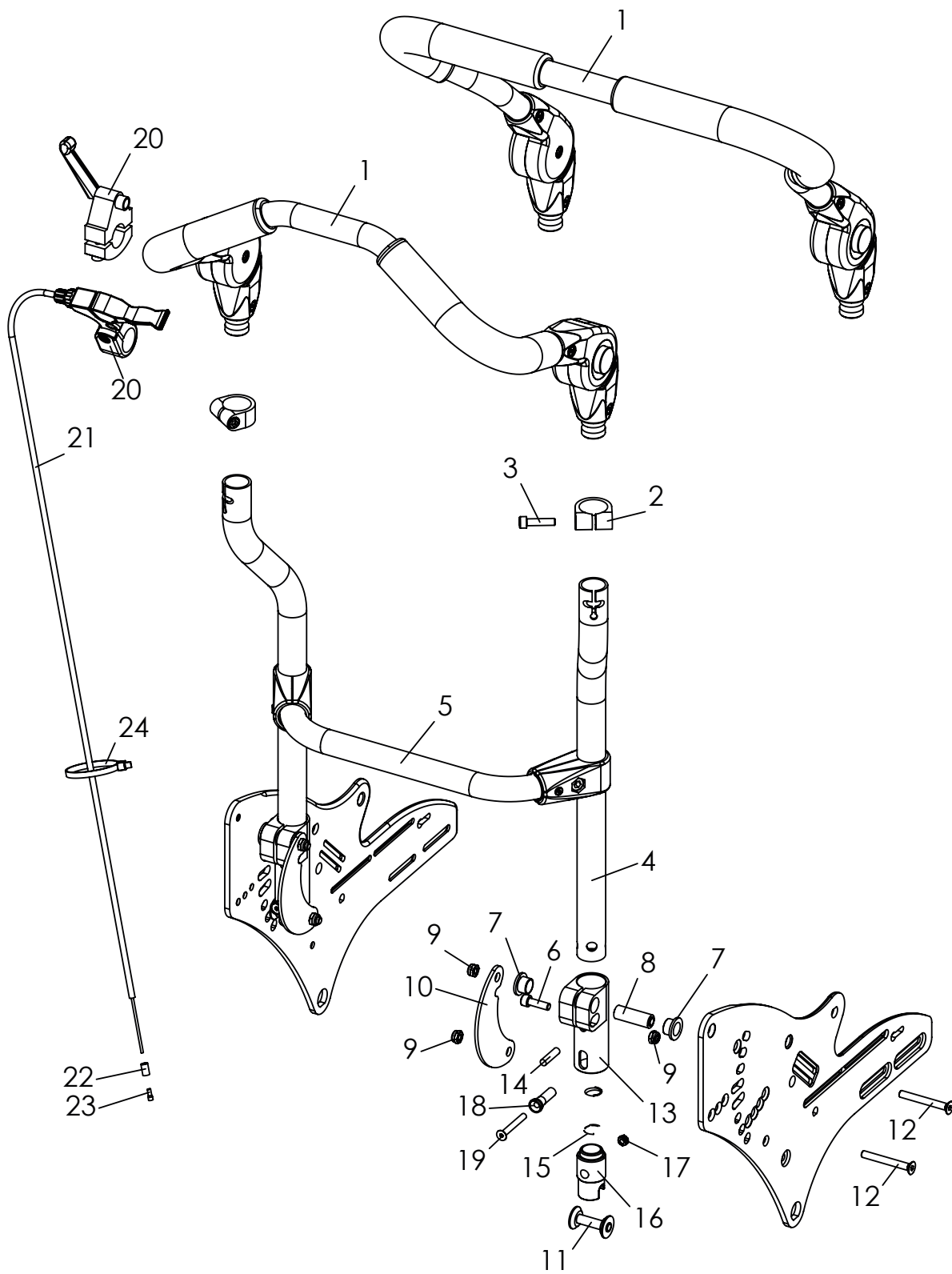
# Spare parts



# Spare parts

Pos	Article number	Articel description	Quantity	Unit
<b>1-21</b>	<b>3245-35SWE</b>	<b>Push handles, foldable</b>	<b>1</b>	<b>Set</b>
	<b>3245-5610E</b>	Push handle	1	Pc.
1	3240-5311-007	Bent tube push handle	2	Pc.
2	1143-0005	Handle grip black d22 x 120	2	Pc.
<b>3-16</b>	<b>3245-3010E-007</b>	<b>Push bar holder, complete</b>	<b>2</b>	<b>Pc.</b>
3	3245-3011-007	Push-bar adapter, anodised	2	Pc.
4	1071-0624	Parallel pin M6x24	2	Pc.
5	1021-0620	Hexagon socket head cap screw M6x20	2	Pc.
6	1131-0064	Compression spring D-142A 0,9x15x39,2x3,5	2	Pc.
7	3245-5112	Locking claw	2	Pc.
	3245-5113S	Locking claw, for tie down kit	2	Pc.
8	1049-0066	BILOC-nut zp VM5	1	Pc.
9	3245-3013	Activator	2	Pc.
10	1024-0540	Hexagon socket countersunk head screw M5x40	2	Pc.
11	3245-3019	Flanged bush	4	Pc.
12	3245-3015	Bearing shaft	2	Pc.
13	3245-3014	Latch shaft	2	Pc.
14	3245-3016-015	Backup bar, structural black	2	Pc.
15	1042-0006	Hexagon nut self-locking M6	6	Pc.
16	1024-0650	Hexagon socket countersunk head screw M6x50	4	Pc.
<b>17</b>	<b>3245-36SWE</b>	<b>Cross bail, complete</b>	<b>1</b>	<b>Pc.</b>
18	1209-0017	Brake lever with splittet bracket, d 22 mm black	1	Pc.
19	1209-0016	Bowden cable BZ-1100x1230-HOG	1	Pc.
20	1209-0007	End cap aluminium U-BA-S for Bowden cable wire	1	Pc.
21	1089-0004	Cable tie, black, 5x180	1	Pc.

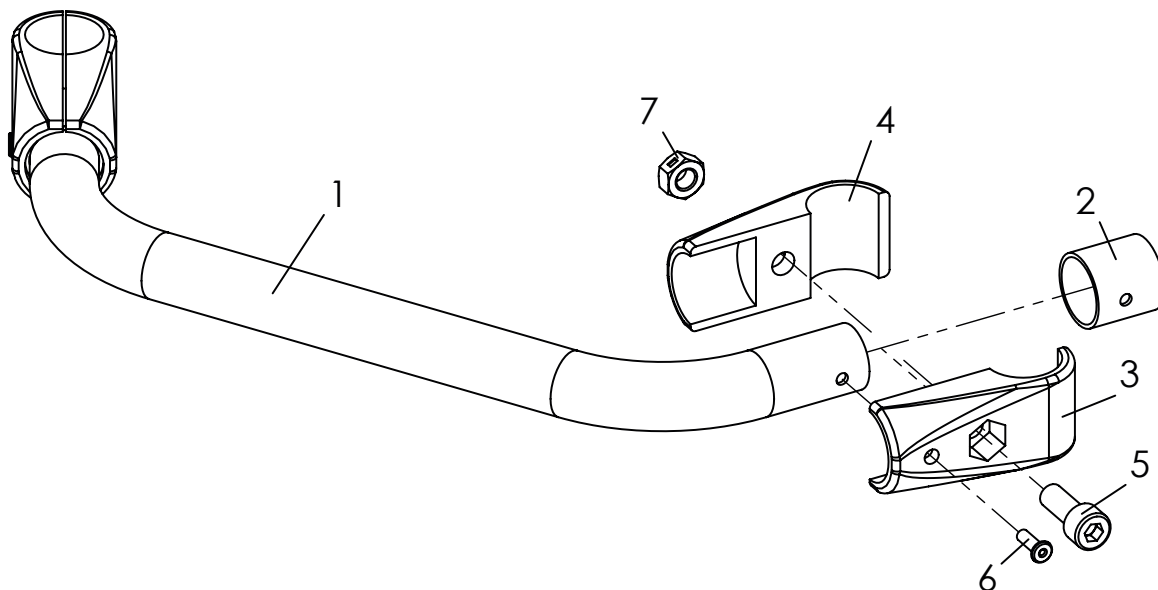
# Spare parts



# Spare parts

Pos	Article number	Articel description	Quantity	Unit
<b>1-24</b>	<b>3245-30SWE</b>	<b>Push bar, foldable</b>	<b>1</b>	<b>Set</b>
	<b>3245-38SWE</b>	<b>Push bar "wide", foldable</b>	<b>1</b>	<b>Set</b>
1	3240-5550E	Push bar upper part size 1, complete, from SW 24 up to SW 34	1	Pc.
	3240-5560E	Push bar upper part size 2, complete, from SW 36 up to SW 40	1	Pc.
	3240-5570E	Push bar upper part size 3, complete, for SW 44	1	Pc.
	3275-5450E	Push-bar "wide" upper part size 1, complete, from SW 24 up to SW 34	2	Pc.
	3275-5460E	Push-bar "wide" upper part size 2, complete, from SW 36 up to SW 40	1	Pc.
	3275-5470E	Push-bar "wide" upper part size 3, complete, for SW 44	1	Pc.
2	3240-5553-007	Clamping ring	2	Pc.
3	1021-0625	Hexagon socket head cap screw M6x25	2	Pc.
4	3245-3113-007	Push bar bottom part, anodised, black	2	Pc.
<b>5</b>	<b>3245-36SWE</b>	<b>Cross bail, complete</b>	<b>1</b>	<b>Pc.</b>
<b>6-19</b>	<b>3245-3010E</b>	<b>Push bar holder, complete</b>	<b>2</b>	<b>Pc.</b>
6	1021-0620	Hexagon socket head cap screw M6x20	2	Pc.
7	3245-3019	Flanged bush	4	Pc.
8	3245-3015	Bearing shaft	2	Pc.
9	1042-0006	Hexagon nut self-locking M6	6	Pc.
10	3245-3016-015	Backup bar	2	Pc.
11	3245-3014	Latch shaft	2	Pc.
12	1024-0650	Hexagon socket countersunk head screw M6x50	4	Pc.
13	3245-3011-007	Push-bar adapter	2	Pc.
14	1071-0624	Parallel pin M6x24	2	Pc.
15	1131-0064	Compression spring D-142A 0,9x15x39,2x3,5	2	Pc.
16	3245-5112	Locking claw	2	Pc.
	3245-5113S	Locking claw Alloy (for tie down kit)	2	Pc.
17	1042-0005	Hexagon nut self-locking M5	2	Pc.
18	3245-3013	Activator	2	Pc.
19	1024-0540	Hexagon socket countersunk head screw M5x40	2	Pc.
20	1209-0017	Brake lever with splittet bracket, d 22 mm black	1	Pc.
	1209-0036	Release lever D22 (for push bar "wide")	1	Pc.
21	1209-0016	Bowden cable BZ-1100x1230-HOG for brake lever with splittet bracket	1	Pc.
	1209-0037	Bowden cable for release lever 1500/2000	1	Pc.
22	1209-0006	End cap brass U-BA-H for Bowden cable cover	1	Pc.
23	1209-0007	End cap aluminium U-BA-S for Bowden cable wire	1	Pc.
24	1089-0004	Cable tie, black, 5x180	1	Pc.

# Spare parts

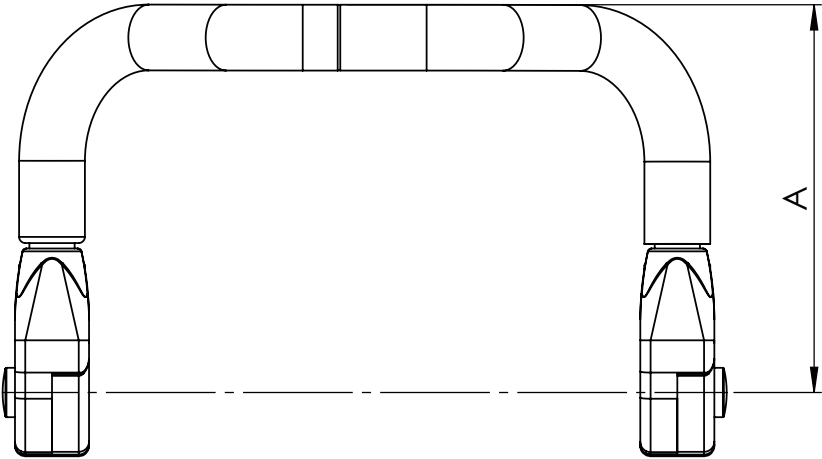
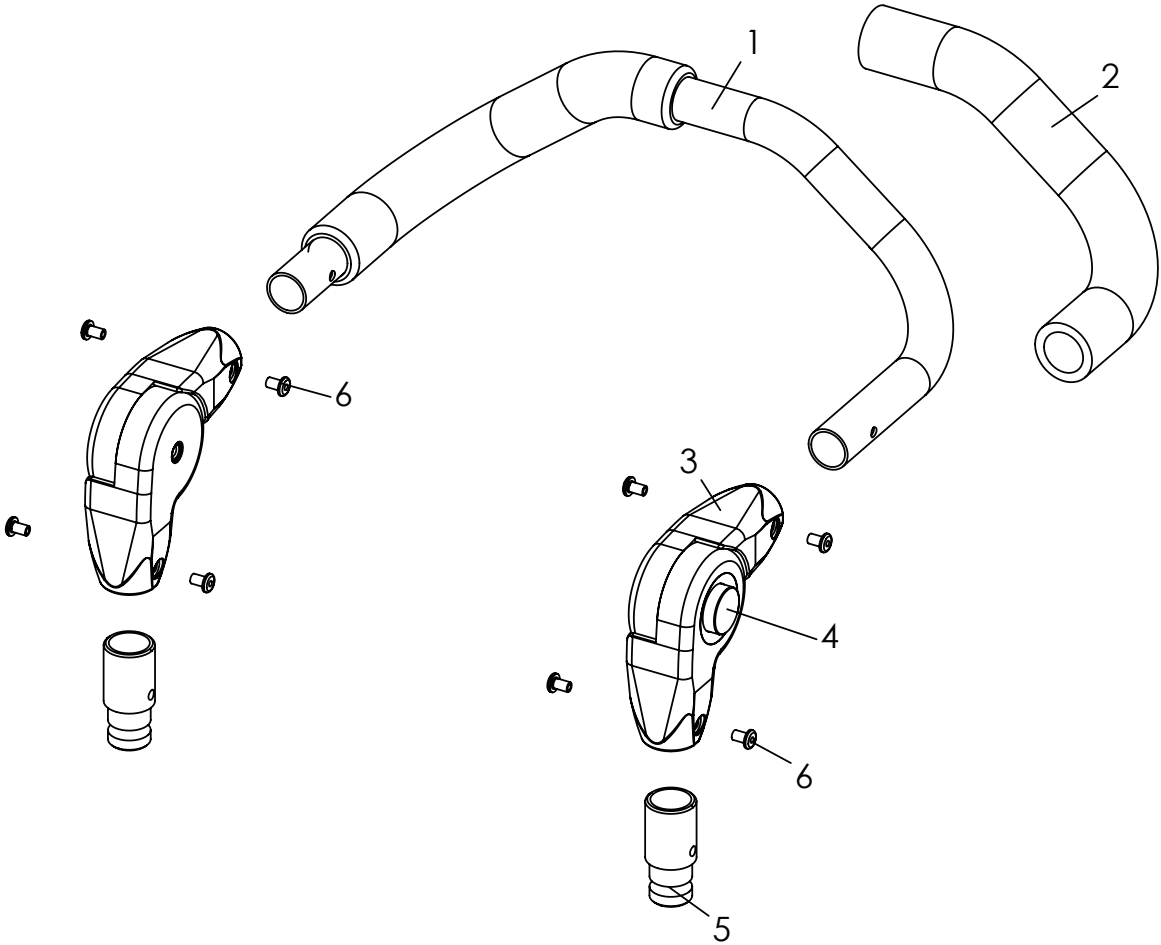


Pos	Article number	Article description	Quantity	Unit
<b>1-7</b>	<b>3245-36SWE</b>	<b>Cross bail, complete</b>	<b>1</b>	<b>Pc.</b>
1	3245-36SW-015	Cross bail, complete	1	Pc.
2	3245-5711	Reducing bush	2	Pc.
3	1145-0001-015	Tube connector T-90° 25/25 with bore 4,2, structural black	2	Pc.
4	1145-0002-015	Tube connector T-90° 25/25 4,2 structural black	2	Pc.
5	1021-0820	Hexagon socket head cap screw M8x20	2	Pc.
6	1062-0412	Blind rivet F4x12	2	Pc.
7	1049-0067	BILOC-nut VM8	2	Pc.

**Pos. 5**

**Tighten screw with max. 15 nm.**

# Spare parts



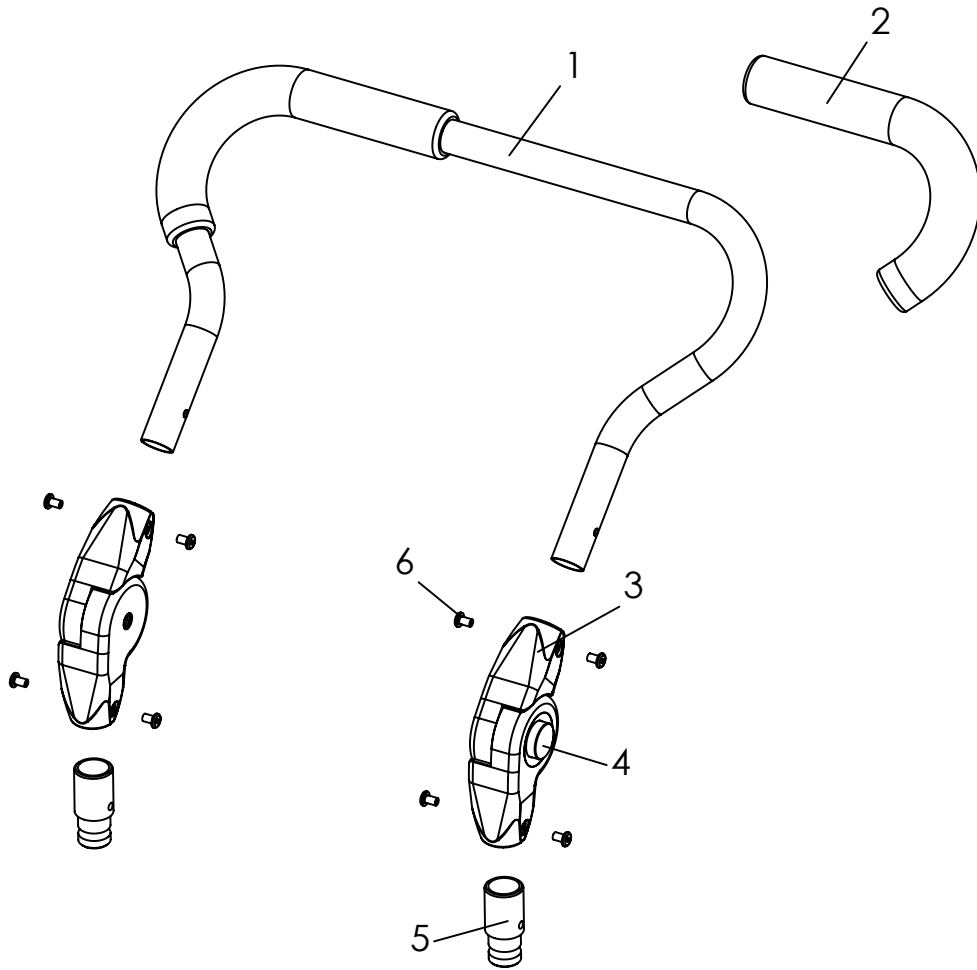
# Spare parts

Pos	Article number	Articel description	Quantity	Unit
1-6	3240-5550E	Push bar upper part complete (A= 188 mm), size 1, SW 24 up to SW 34	1	Pc.
	3240-5560E	Push bar upper part complete (A= 188 mm), size 2, SW 36 up to SW 40	1	Pc.
	3240-5570E	Push bar upper part complete (A= 188 mm), size 3, SW 44	1	Pc.
	3240-5650E	Push bar upper part complete (A= 238 mm), size 1, SW 24 up to SW 34	1	Pc.
	3240-5660E	Push bar upper part complete (A= 238 mm), size 2, SW 36 up to SW 40	1	Pc.
	3240-5670E	Push bar upper part complete (A= 238 mm), size 3, SW 44	1	Pc.
	3240-5750E	Push bar upper part complete (A= 288 mm), size 1 SW 24 up to SW 34	1	Pc.
	3240-5760E	Push bar upper part complete (A= 288 mm), size 2, SW 36 up to SW 40	1	Pc.
	3240-5770E	Push bar upper part complete (A= 288 mm), size 3, SW 44	1	Pc.
	3240-5850E	Push bar upper part complete (A= 338 mm), size 1 SW 24 up to SW 34	1	Pc.
	3240-5860E	Push bar upper part complete (A= 338 mm), size 2, SW 36 up to SW 40	1	Pc.
	3240-5870E	Push bar upper part complete (A= 338 mm), size 3, SW 44	1	Pc.
1	3240-5552-001	Push bar upper part size 1 (151 mm), black	1	Pc.
	3240-5562-001	Push bar upper part size 2 (151 mm), black	1	Pc.
	3240-5572-001	Push bar upper part size 3 (151 mm), black	1	Pc.
	3240-5652-001	Push bar upper part size 1 (201 mm), black	1	Pc.
	3240-5662-001	Push bar upper part size 2 (201 mm), black	1	Pc.
	3240-5672-001	Push bar upper part size 3 (201 mm), black	1	Pc.
	3240-5752-001	Push bar upper part size 1 (251 mm), black	1	Pc.
	3240-5762-001	Push bar upper part size 2 (251 mm), black	1	Pc.
	3240-5772-001	Push bar upper part size 3 (251 mm), black	1	Pc.
	3240-5852-001	Push bar upper part size 1 (301 mm), black	1	Pc.
	3240-5862-001	Push bar upper part size 2 (301 mm), black	1	Pc.
	3240-5872-001	Push bar upper part size 3 (301 mm), black	1	Pc.
2	1143-0001	Handle grip EVA black d30 x 260	2	Pc.
3-4	1129-0009	Ratchet joint 25x22	1	Pair
4	7000-0054	Button for ratchet joint	2	Pc.
5	3240-5554	Coupling binder	2	Pc.
6	1062-0508	Blind rivet F5x8	8	Pc.

SA-0183	Length Push bar upper part			
	Standard	+ 5cm	+ 10cm	+ 15cm
3245-55SW	3240-5550E	3240-5650E	3240-5750E	3240-5850E
	3240-5560E	3240-5660E	3240-5760E	3240-5860E
	3240-5570E	3240-5670E	3240-5770E	3240-5870E
3245-30SW	3240-5550E	3240-5650E	3240-5750E	3240-5850E
	3240-5560E	3240-5660E	3240-5760E	3240-5860E
	3240-5570E	3240-5670E	3240-5770E	3240-5870E
3248-30SW	3240-5650E	3240-5750E	3240-5850E	-
	3240-5660E	3240-5760E	3240-5860E	-
	3240-5670E	3240-5770E	3240-5870E	-

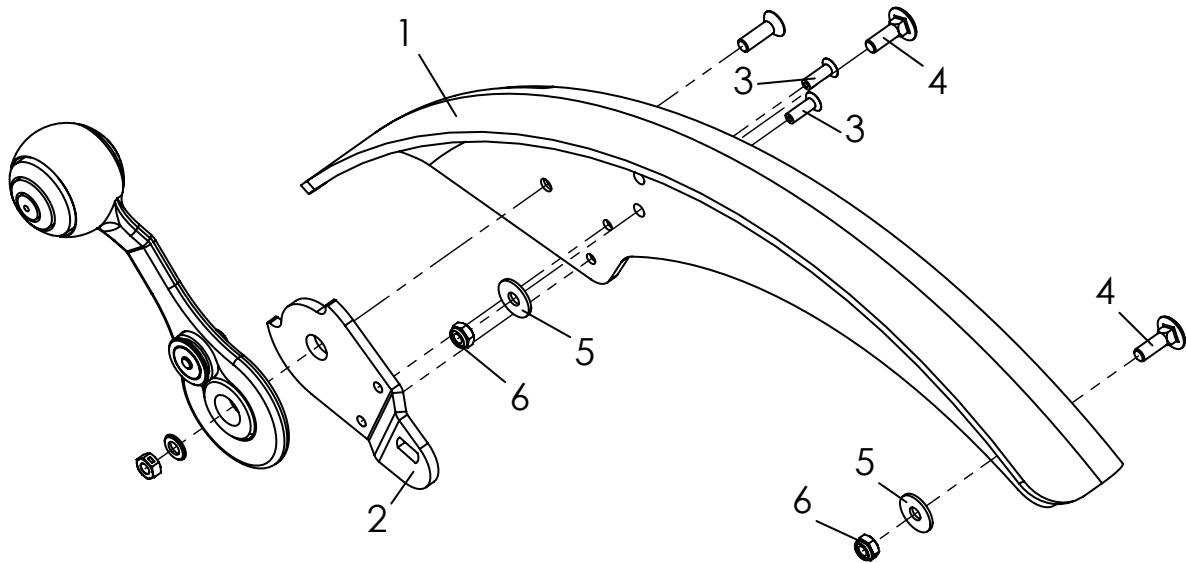


# Spare parts



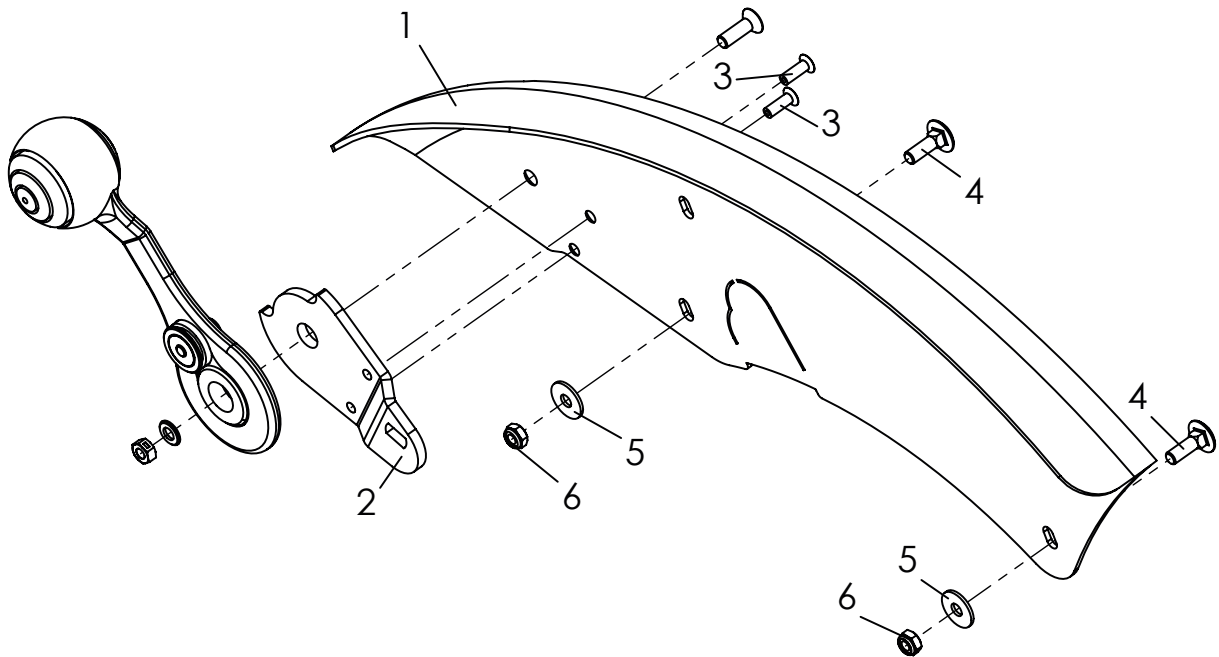
Pos	Article number	Articel description	Quantity	Unit
1-5	3275-5450E	Push-bar "wide" upper part size 1, complete	1	Pc.
	3275-5460E	Push-bar "wide" upper part size 2, complete	1	Pc.
	3275-5470E	Push-bar "wide" upper part size 3, complete	1	Pc.
1	3240-5552-001	Push bar upper part size 1, black	1	Pc.
	3240-5562-001	Push bar upper part size 2, black	1	Pc.
	3240-5572-001	Push bar upper part size 3, black	1	Pc.
2	1143-0001	Handle grip EVA black d30 x 260	2	Pc.
3-4	1129-0009	Ratchet joint 25x22	1	Pair
4	7000-0054	Button for ratchet joint	2	Pc.
5	3240-5554	Coupling binder	2	Pc.
6	1062-0508	Blind rivet F5x8	8	Pc.

# Spare parts



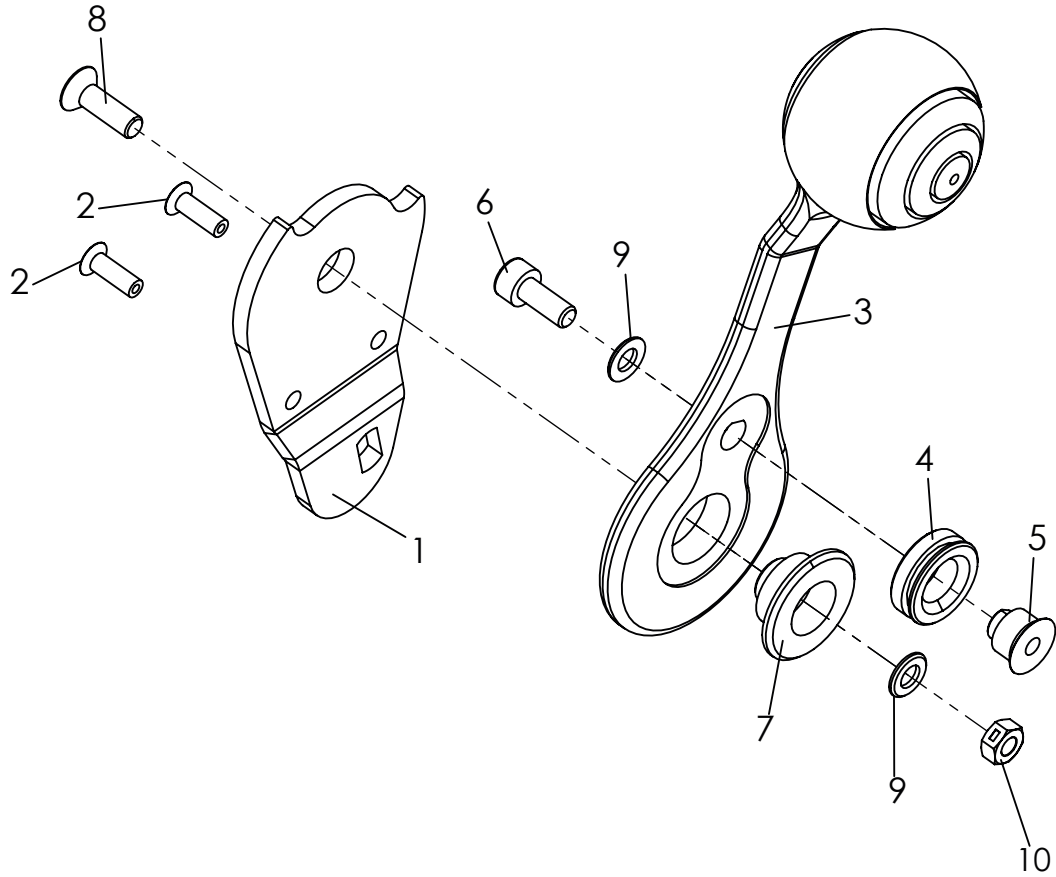
Pos	Article number	Articel description	Quantity	Unit
1-3	3248-1611E	Fender left 20" with base plate for break lever	1	Pc.
	3248-1621E	Fender right 20" with base plate for break lever	1	Pc.
	3248-1631E	Fender left 22" with base plate for break lever	1	Pc.
	3248-1641E	Fender right 22" with base plate for break lever	1	Pc.
	3248-1651E	Fender left 24" with base plate for break lever	1	Pc.
	3248-1661E	Fender right 24" with base plate for break lever	1	Pc.
	3248-1613E	Fender (for 3° camber) left 20" with base plate for break lever	1	Pc.
	3248-1623E	Fender (for 3° camber) right 20" with base plate for break lever	1	Pc.
	3248-1633E	Fender (for 3° camber) left 22" with base plate for break lever	1	Pc.
	3248-1643E	Fender (for 3° camber) right 22" with base plate for break lever	1	Pc.
	3248-1653E	Fender (for 3° camber) left 24" with base plate for break lever	1	Pc.
	3248-1663E	Fender (for 3° camber) right 24" with base plate for break lever	1	Pc.
2	3251-1741	Base plate brake lock lever, left	1	Pc.
	3251-1751	Base plate brake lock lever, right	1	Pc.
3	1063-0412	Blind rivet S4x12	2	Pc.
4	1026-0516	Mushroom head square neck bolt M5x16	2	Pc.
5	1055-0005	Washer A5,3	2	Pc.
6	1042-0005	Hexagon nut self-locking M5	2	Pc.

# Spare parts



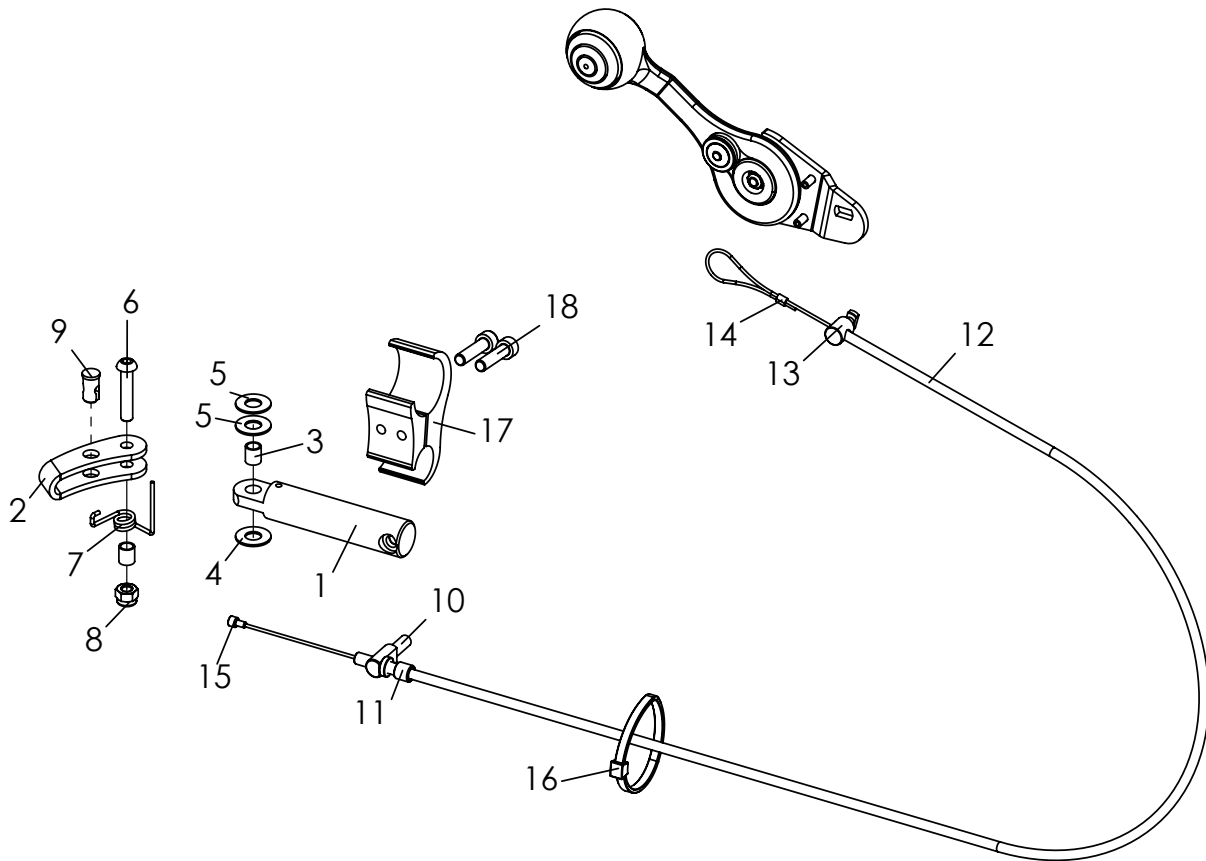
Pos	Article number	Articel description	Quantity	Unit
1-3	3278-1651E-000	Fender Aluminum left 22-24" in frame color with base plate for break lever	1	Pc.
	3278-1661E-000	Fender Aluminum right 22-24" in frame color with base plate for break lever	1	Pc.
	3278-1653E-000	Fender Aluminum (for 3° camber) left 22-24" in frame color with base plate for break lever	1	Pc.
	3278-1663E-000	Fender Aluminum (for 3° camber) left 22-24" in frame color with base plate for break lever	1	Pc.
2	3251-1741	Base plate brake lock lever, left	1	Pc.
	3251-1751	Base plate brake lock lever, right	1	Pc.
3	1063-0412	Blind rivet S4x12	2	Pc.
4	1026-0516	Mushroom head square neck bolt M5x16	2	Pc.
5	1055-0005	Washer A5,3	2	Pc.
6	1042-0005	Hexagon nut self-locking M5	2	Pc.

# Spare parts



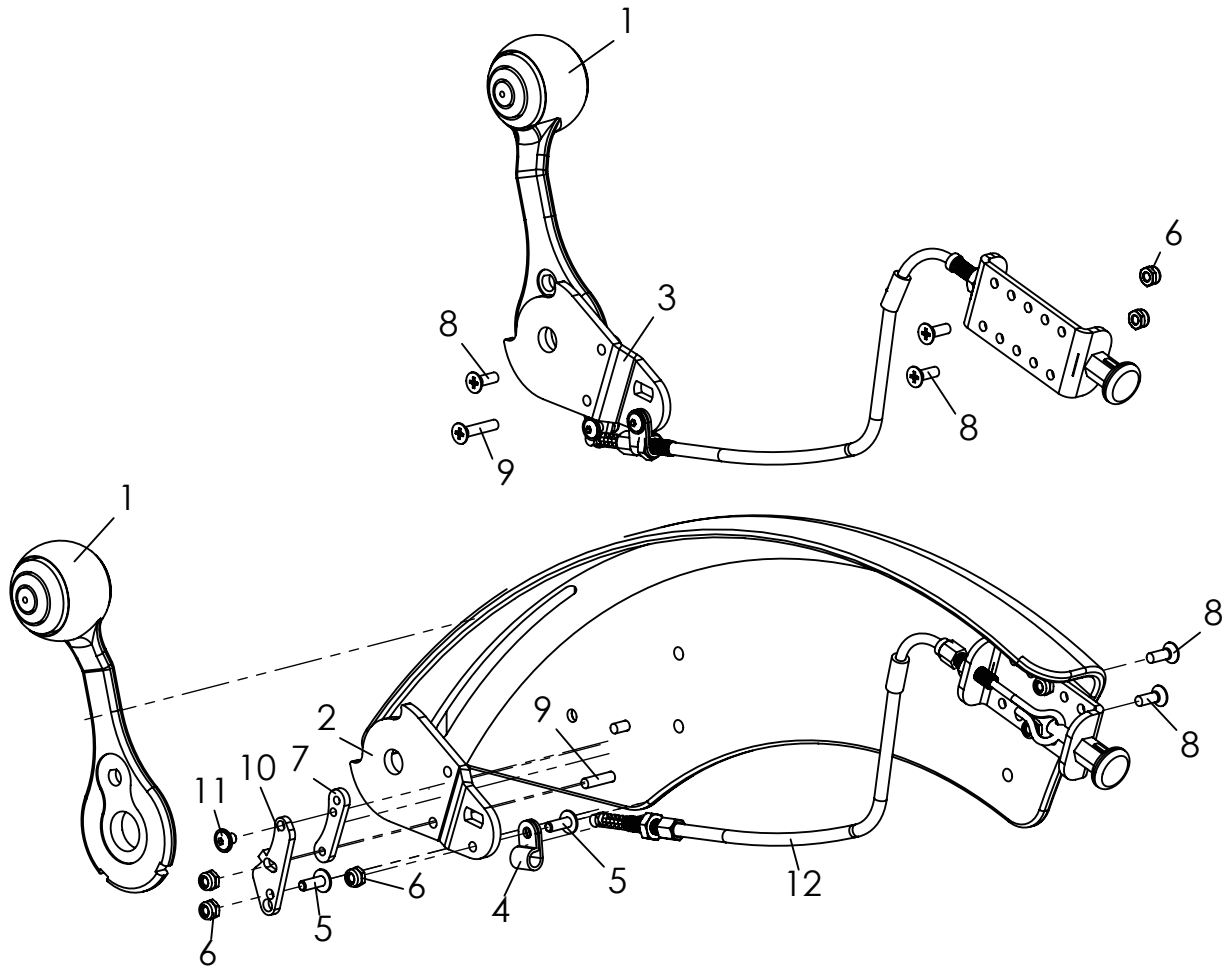
Pos	Article number	Articel description	Quantity	Unit
<b>1-10</b>	<b>3240-1780E</b>	<b>Brake lock lever, left, displayed</b>	<b>1</b>	<b>Pc.</b>
	<b>3240-1790E</b>	<b>Brake lock lever, right</b>	<b>1</b>	<b>Pc.</b>
1	3251-1741	Base plate brake lock lever, left	1	Pc.
	3251-1751	Base plate brake lock lever, right	1	Pc.
2	1063-0412	Blind rivet S4x12	2	Pc.
3	3240-1781	Brake lock lever	1	Pc.
4	3240-1747	Cable roll	1	Pc.
5	3240-1745	Cable support	1	Pc.
6	1021-0512	Cylinder head screw M5x12	1	Pc.
7	3240-1743	Lever bearing	1	Pc.
8	1024-0516	Hexagon socket countersunk head screw M5x16	1	Pc.
9	1051-0005	Washer A5,3	2	Pc.
10	1049-0066	BILOC-nut M5	1	Pc.

# Spare parts



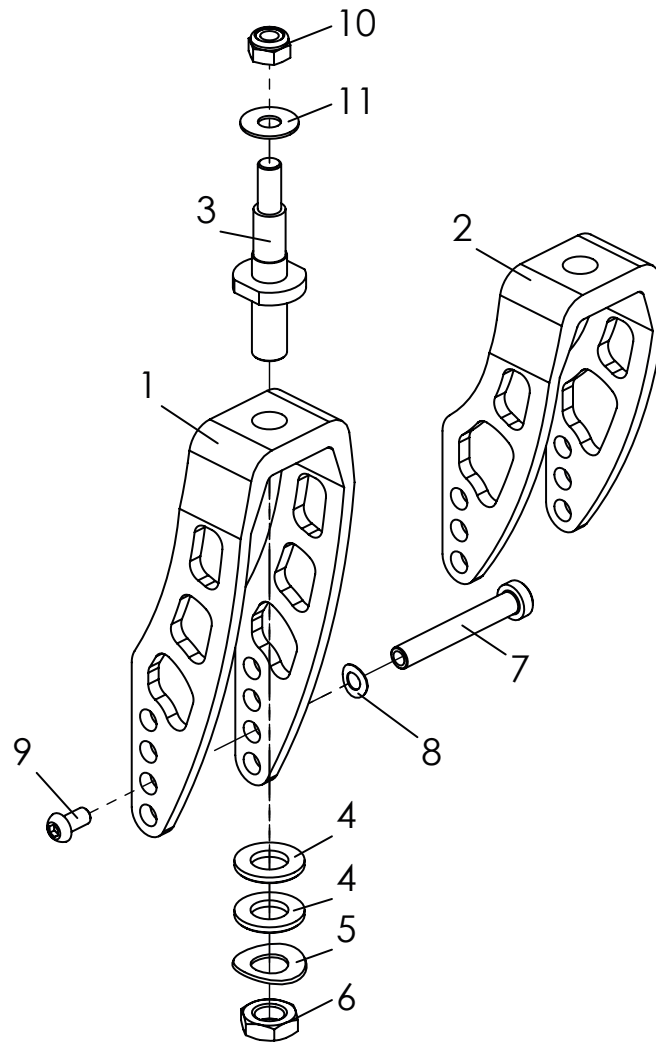
Pos	Article number	Articel description	Quantity	Unit
<b>1-9</b>	<b>3240-1710E</b>	<b>Brake, left, displayed</b>	<b>1</b>	<b>Pc.</b>
	<b>3240-1720E</b>	<b>Brake, right</b>	<b>1</b>	<b>Pc.</b>
1	3240-1711-007	Brake lever bracket, anodised	1	Pc.
2	3240-1712-007	Brake lock lever, anodised	1	Pc.
3	1114-0055	Bushing	2	Pc.
4	1113-0035	Washer PA 18x8,4x2 black	1	Pc.
5	1113-0003	Washer PA 18x8,4x1 black	2	Pc.
6	1029-0630	Button head socket screw M6x30	1	Pc.
7	3240-1761	Retaining spring, left	1	Pc.
	3240-1762	Retaining spring, right	1	Pc.
8	1042-0006	Hexagon nut self-locking M6	1	Pc.
9	1099-0014	Ball end cable holder	1	Pc.
<b>10-16</b>	<b>1209-0025E</b>	<b>Brake cable for Swingbo VT1</b>	<b>2</b>	<b>Pc.</b>
	3240-1713	Cross bolt	1	Pc.
	1099-0003	Adjusting screw with nut M6x20/30	1	Pc.
	1209-0012	Break cable	1	Pc.
	3240-1748	Bearing	1	Pc.
	1089-0005	Cable clamp	1	Pc.
	1209-0007	End cap aluminium U-BA-S for Bowden cable wire	1	Pc.
	1089-0004	Cable tie, black, 5x180	1	Pc.
<b>17-18</b>	<b>3251-1730E-007</b>	<b>Clamp 30-19, tube distance 42 mm, black</b>	<b>1</b>	<b>Set</b>
	3251-1730E-007	Clamp 30-19, tube distance 42 mm, black	2	Pc.
	1021-0625	Hexagon socket head cap screw M6x25	2	Pc.

# Spare parts



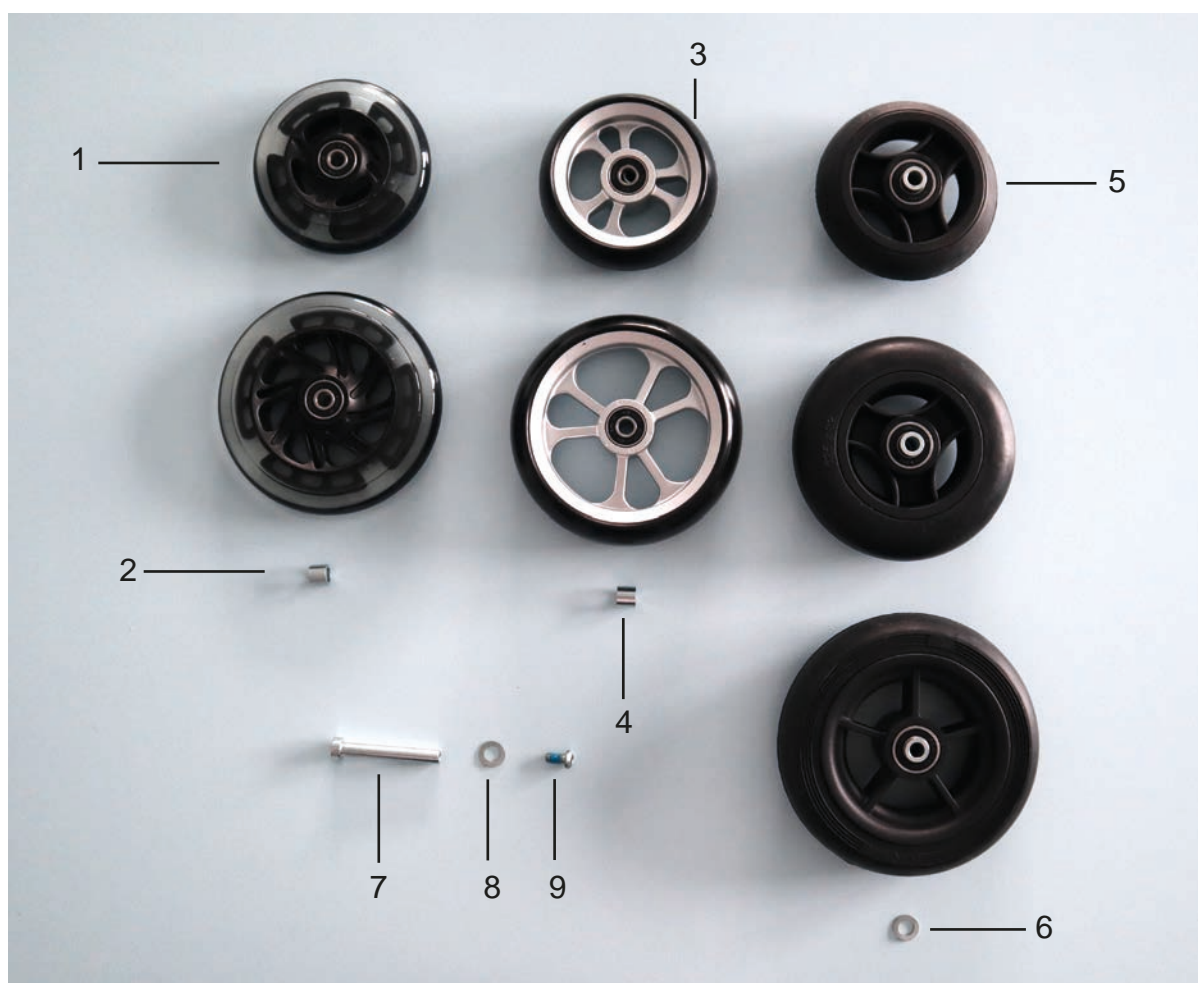
Pos	Article number	Article description	Quantity	Unit
<b>1-12</b>	<b>SA-0505-KP</b>	<b>Locking of the integrated brake</b>	<b>1</b>	<b>Pc.</b>
1	3240-1781_SA-0505	Brake lock lever with grooves for locking	2	Pc.
2	3251-1741_SA-0505	Base plate brake lock lever, left	1	Pc.
3	3251-1751_SA-0505	Base plate brake lock lever, right	1	Pc.
4	1119-0003	Wire clamp	2	Pc.
5	1030-0412	Button head socket screw M4x12	4	Pc.
6	1042-0004	Hexagon nut self-locking M4	10	Pc.
7	SA-0505-0001	Baseplate VA	2	Pc.
8	1023-0412	Countersunk flat head screw M4x12	6	Pc.
9	1023-0420	Countersunk flat head screw M4x20	2	Pc.
10	SA-0505-0002	Swivel lock VA	2	Pc.
11	1030-0406	Button head socket screw with flange zp M4x6	2	Pc.
12	SA-0505-1110	Release with Bowden cable, complete	2	Pc.

# Spare parts



Pos	Article number	Articel description	Quantity	Unit
1	1281-0017-007	Wheel fork aluminum, long, black anodized	1	Pc.
	1281-0017-000	Wheel fork aluminum, long, Frame Colour	1	Pc.
2	1281-0016-007	Wheel fork aluminum, short, black anodized	1	Pc.
	1281-0016-000	Wheel fork aluminum, short, Frame Colour	1	Pc.
3	1205-0007	Wheel fork axle	1	Pc.
4	1051-0012	Washer A13	2	Pc.
5	1052-0012	Spring washer B12	1	Pc.
6	1043-0012	Hexagon nut M12	1	Pc.
7	1205-0009	Wheel axle L54	1	Pc.
8	1052-0008	Spring washer B8	1	Pc.
9	1029-6001	Button head socket screw, Tufflock M6x12	1	Pc.
10	1042-0008	Hexagon nut self-locking M8	1	Pc.
11	1113-0071	Friction washer	1	Pc.

## Spare parts



Pos	Article number	Articel description	Quantity	Unit
1	1249-0005	Skater wheels with illuminating diode 100x24 ( <b>max. 5 Nm</b> )	2	Pc.
	1249-0006	Skater wheel with illuminating diode 125x24 ( <b>max. 5 Nm</b> )	2	Pc.
2	1205-0047	spacer for Skater wheels 12x1.75x10.3 verz.	4	Pc.
3	1221-0024	PU-front castor with design plastic rim 100x34	2	Pc.
	1221-0025	PU-front castor with design plastic rim 125x34	2	Pc.
4	1205-0075	spacer for Skater wheels 12x1.75x9	4	Pc.
5	1250-0005	Front castor with solid rubber tires 100x32, black	2	Pc.
	1250-0006	Front castor with solid rubber tires 125x32, black	2	Pc.
	1250-1460	Front castor with solid rubber tires 140x40, black	2	Pc.
6	1052-0008	Washer A8,4 for front castor with solid rubber tires	2	Pc.
7	1205-0009	Wheel axle L54	2	Pc.
8	1052-0008	Spring washer B8 zp DIN/ISO 137 B8	2	Pc.
9	1029-6001	Button head socket screw, Tuflock M6x12	2	Pc.

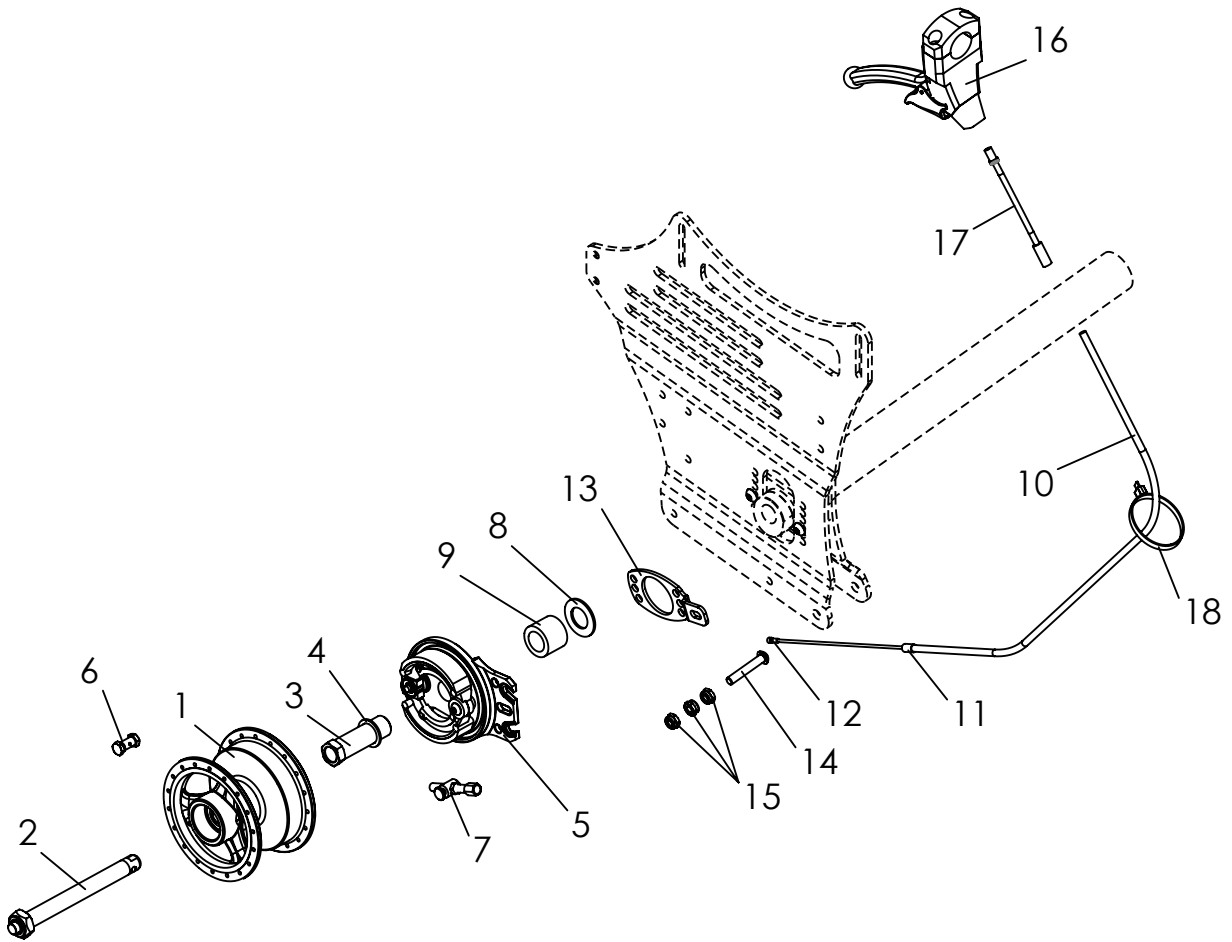


# Spare parts



Pos	Article number	Articel description	Quantity	Unit
1	1211-0007	Pneumatic wheel 20x1" HOGGI light with out push rims	2	Pc.
	1211-0008	Pneumatic wheel 22x1" Hoggi light w/o push rims	2	Pc.
	1211-0009	pneumatic wheel 24x1" Hoggi light w/oithout push rims	2	Pc.
	1221-0009	Rear wheels with PU-tires 20x1 3/8" HOGGI light w/o push rims	2	Pc.
	1221-0049	Rear wheels with PU-tires 22x1" HOGGI light w/o push rims, black	2	Pc.
	1221-0011	Rear wheels with PU-tires 24x1" HOGGI light w/o push rims	2	Pc.
	1221-0050	Rear wheels with PU-tires 24x1" HOGGI light w/o push rims, black	2	Pc.
2	1205-0010	Adapter with nut M16x1 for quick-release-axle 12/45 mm	2	Pc.
3	1205-0014	Quick release axle 12 x 98 mm	2	Pc.
4	1052-0016	Spring washer B16	2	Pc.
<i>Spare parts</i>				
	1201-0003	Tube for wheel 20x1	2	Pc.
	1201-0004	Tube for wheel 22x1	2	Pc.
	1201-0005	Tube for wheel 24x1	2	Pc.
	1201-0006	Rim band 20"	2	Pc.
	1201-0007	Rim band 22"	2	Pc.
	1201-0008	Rim band 24"	2	Pc.
	1200-0003	Tire for wheel 20x1" grey	2	Pc.
	1200-0019	Tire for wheel 22x1" RightRun HS387 Light	2	Pc.
	1200-0023	Tire for wheel 24x1" RightRun HS387 Light	2	Pc.
	1203-0005	PU-tire 20x1 3/8" grey	2	Pc.
	1203-0006S	PU-tire 22x1" black	2	Pc.
	1203-0007S	PU-tire 24x1" black	2	Pc.

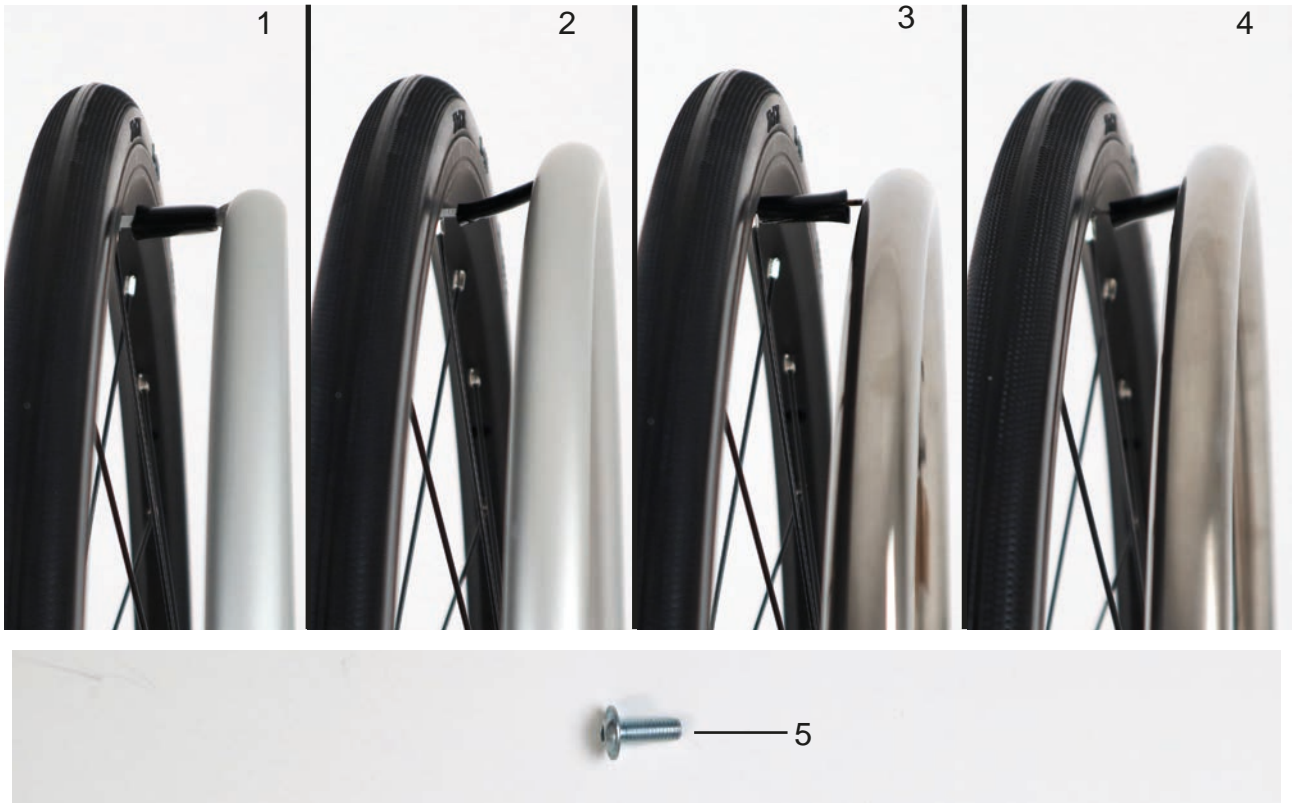
# Spare parts



# Spare parts

Pos	Article number	Articel description	Quantity	Unit
1-7	1219-0013	Pneumatic wheel 20x1" „HOGGI light“ with drumbrake, left, w/o push rims	1	Pc.
	1219-0014	Pneumatic wheel 20x1" „HOGGI light“ with drumbrake, right w/o push rim	1	Pc.
	1211-0045	Pneumatic wheel 22x1" „HOGGI light“ with drumbrake, left, w/o push rim	1	Pc.
	1211-0046	Pneumatic wheel 22x1" „HOGGI light“ with drumbrake, right, w/o push rim	1	Pc.
	1211-0048	Pneumatic wheel 24x1" „HOGGI light“ with drumbrake, left, w/o push rim	1	Pc.
	1211-0049	Pneumatic wheel 24x1" „HOGGI light“ with drumbrake, right w/o push rim	1	Pc.
	1221-0003	PU-wheel 20x1 3/8" „HOGGI light“ with drum brake, left, w/o push rim	1	Pc.
	1221-0004	PU-wheel 20x1 3/8" „HOGGI light“ with drum brake, right, w/o push rim	1	Pc.
	1221-0045	PU-wheel 22"x1" „HOGGI light“ with drum brake, left, w/o push rim	1	Pc.
	1221-0046	PU-wheel 22"x1" „HOGGI light“ with drum brake, right, w/o push rim	1	Pc.
	1221-0047	PU wheels 24x1" with drum brakes, left, w/o push rims	1	Pc.
	1221-0048	PU wheels 24x1" with drum brakes, right, w/o push rims	1	Pc.
2	1205-0022	Quick release axle 12 x 108 mm	2	Pc.
3	1205-0051	Adapter M16x1 for quick-release-axle 12/57 mm	2	Pc.
4	1059-0002	Shim ring 16x22x1,5	2	Pc.
5	1205-0031	Brake plate left	1	Pc.
	1205-0032	Brake plate right	1	Pc.
6	1205-0029	Pinch bolt d8x15 mm, without slot	2	Pc.
7	1205-0030	Brake adjuster M6x30 mm	2	Pc.
8	1052-0016	Spring washer B16	2	Pc.
9	1205-0015	Spacer bushing 25x16.2x15, for 3 and 6°	2	Pc.
	1205-0016	Spacer bushing 25x16.2x20, for 9°	2	Pc.
10-12	1209-0001	Bowden wire set 1,5m cable	2	Pc.
13	1205-0035-001	Brake anchor support plate SBO-VTi	2	Pc.
14	1029-0635	Button head socket screw M6x35, for 9°	2	Pc.
	1022-0625	Hexagon socket head cap screw M6x25, for 3 and 6°	2	Pc.
15	1042-0006	Hexagon nut self-locking M6	3	Pc.
16	1209-0026	Brake lever 36° manually locking 25 mm (for push-handle)	2	Pc.
	1209-0030	Brake lever 36 ° manually locking 22 mm (for push bar)	2	Pc.
17	1205-0054	Bowden cable guide, flexible	2	Pc.
18	1089-0004	Cable tie, black, 5x180	4	Pc.

# Spare parts

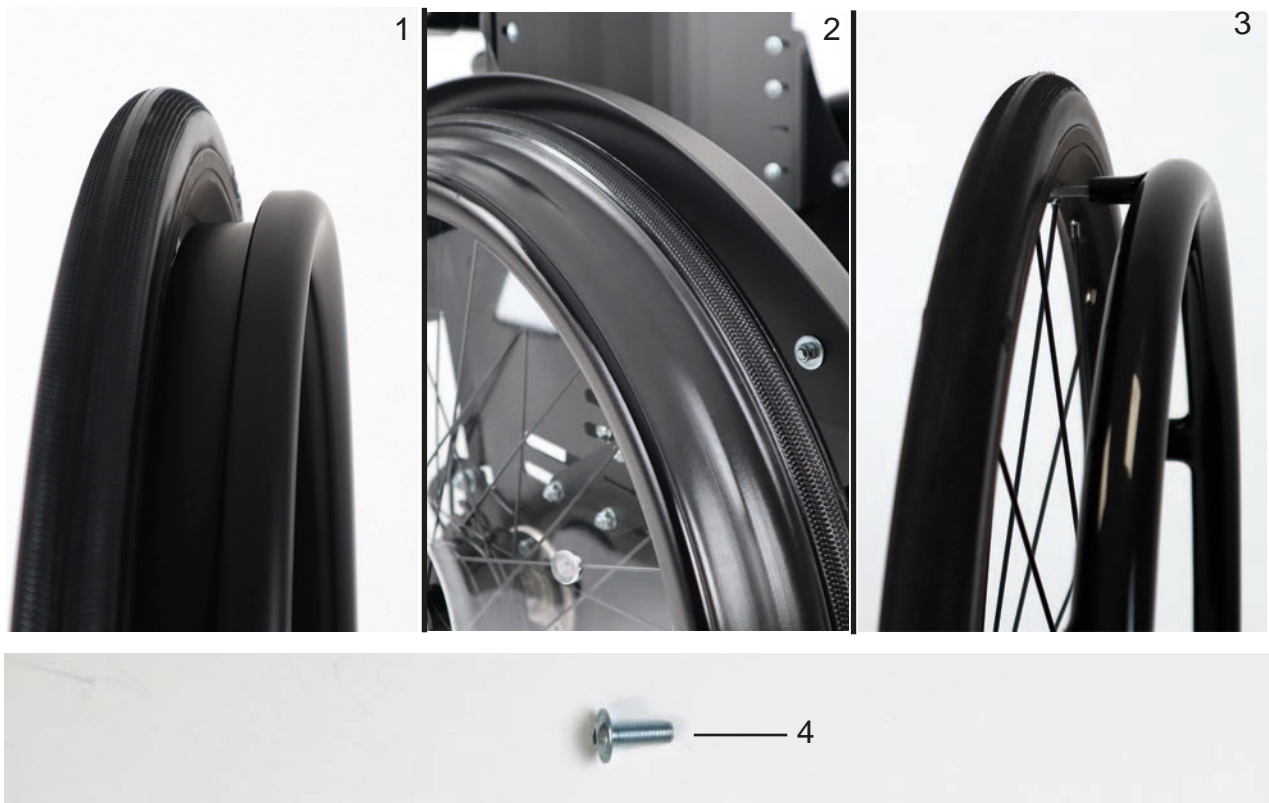


Pos	Article number	Articel description	Quantity	Unit
1	1204-0006	Aluminum hand rim 20", anodised - „standard“	2	Pc.
	1204-0006-007	Aluminum hand rim 20", black anodised - „standard“	2	Pc.
	1204-0007-007	Aluminum hand rim 22", anodised - „standard“	2	Pc.
	1204-0008	Aluminum hand rim 24", anodised - „standard“	2	Pc.
	1204-0008-007	Aluminum hand rim 24", black anodised - „standard“	2	Pc.
2	1204-0019	Aluminum hand rim 20", anodised - for mounting position „high“	2	Pc.
	1204-0020	Aluminum hand rim 22", anodised - for mounting position „high“	2	Pc.
	1204-0020-007	Aluminum hand rim 22", black anodised - for mounting position „high“	2	Pc.
	1204-0021	Aluminum hand rim 24", anodised - for mounting position „high“	2	Pc.
	1204-0021-007	Aluminum hand rim 24", black anodised - for mounting position „high“	2	Pc.
3	1204-0009	Stainless steel hand rim 20" - "standard"	2	Pc.
	1204-0010	Stainless steel hand rim 22" - „standard“	2	Pc.
	1204-0011	Stainless steel hand rim 24" - „standard“	2	Pc.
4	1204-0022	Stainless steel hand rim 20" - for mounting position „high“	2	Pc.
	1204-0023	Stainless steel hand rim 22" - for mounting position „high“	2	Pc.
	1204-0024	Stainless steel hand rim 24" - for mounting position „high“	2	Pc.
5	1030-0514	Button head socket screw with flange M5x14		

(Handrims 20 "and 22" with 4 mounting points)

(Handrims 24" with 6 mounting points)

# Spare parts



Pos	Article number	Articel description	Quantity	Unit
1	1204-0055-007	Closed ergonomic Aluminum hand rim 22", black anodised	2	Pc.
	1204-0056-007	Closed ergonomic Aluminum hand rim 24", black anodised	2	Pc.
2	1204-0060	Rubber profile 22" Grip+	2	Pc.
	1204-0061	Rubber profile 24" Grip+	2	Pc.
	1204-0042	Aluminum hand rim 20", black PVC coated - „standard“	2	Pc.
	1204-0045	Aluminum hand rim 20", black PVC coated - for mounting position „high“	2	Pc.
	1204-0043	Aluminum hand rim 22", black PVC coated - „standard“	2	Pc.
	1204-0046	Aluminum hand rim 22", black PVC coated - for mounting position „high“	2	Pc.
	1204-0044	Aluminum hand rim 24", black PVC coated - „standard“	2	Pc.
1204-0047	Aluminum hand rim 24", black PVC coated - for mounting position „high“	2	Pc.	
4	1030-0514	Button head socket screw with flange M5x14  (Handrims 20 "and 22" with 4 mounting points) (Handrims 24" with 6 mounting points)		

# Spare parts

1

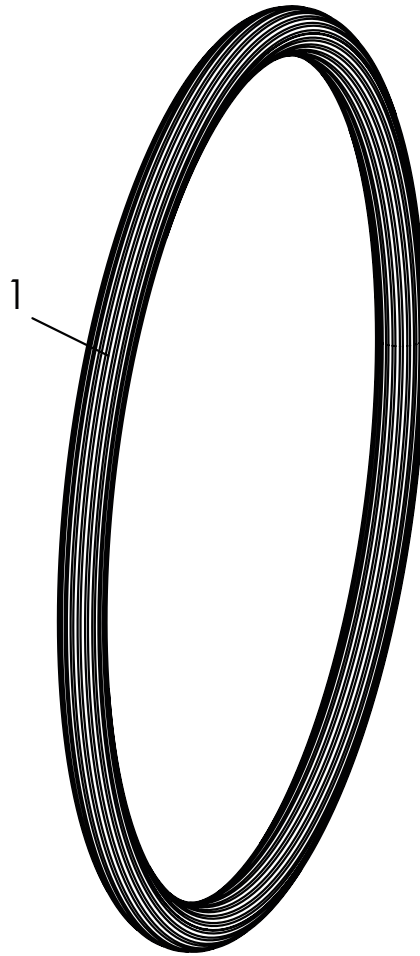
2

3



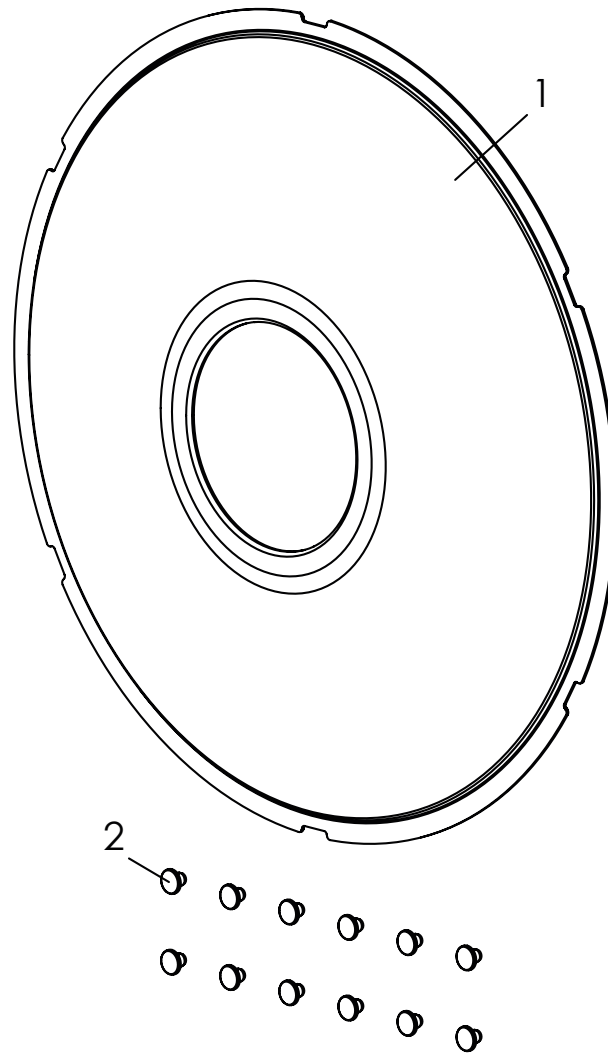
Pos	Article number	Articel description	Quantity	Unit
1	7000-0150	Maxgrepp Original push rim 20", 4 L	2	Pc.
	7000-0151	Maxgrepp Original push rim 22", 4L	2	Pc.
	7000-0152	Maxgrepp Original push rim 24", 6L	2	Pc.
2	7000-0162	Maxgrepp Ergo Para push rim 20", 4 L	2	Pc.
	7000-0163	Maxgrepp Ergo Para push rim 22", 4 L	2	Pc.
	7000-0164	Maxgrepp Ergo Para push rim 24", 6 L	2	Pc.
3	7000-0165	Maxgrepp Ergo Para CP push rim 20", 4 L	2	Pc.
	7000-0166	Maxgrepp Ergo Para CP push rim 22", 4 L	2	Pc.
	7000-0167	Maxgrepp Ergo Para CP push rim 24", 6 L	2	Pc.

# Spare parts



Pos	Article number	Articel description	Quantity	Unit
1	1204-0015	Push rim cover in silicone, 20", black fluted	1	Pc.
	1204-0016	Push rim cover in silicone, 22", black fluted	1	Pc.
	1204-0017	Push rim cover in silicone, 24", black fluted	1	Pc.

# Spare parts

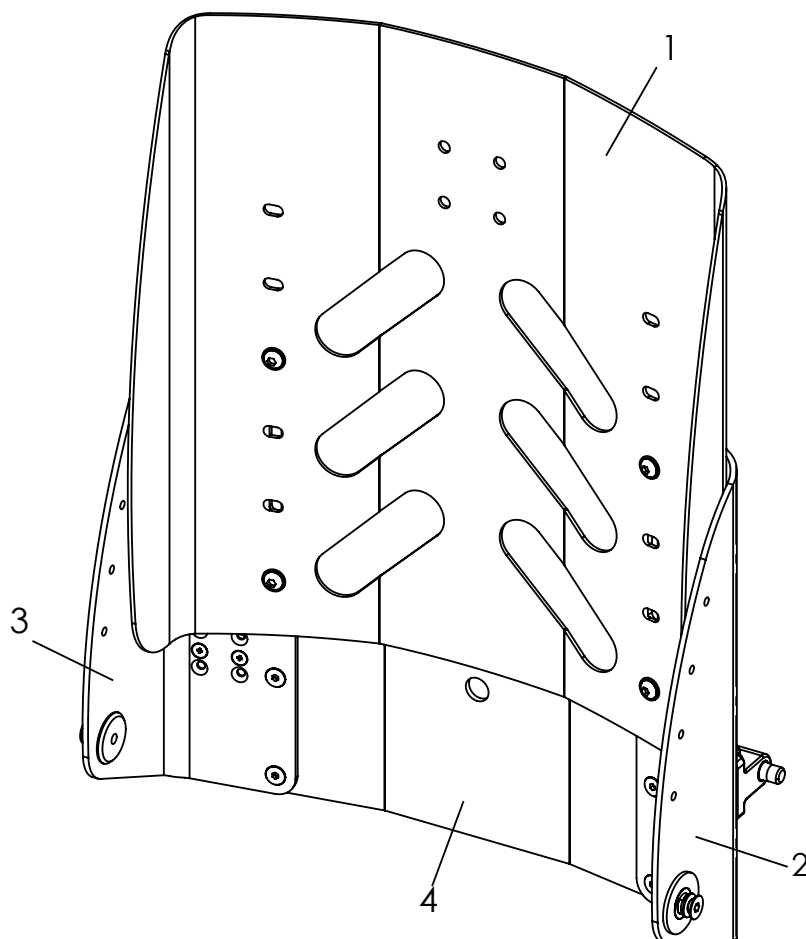


Pos	Article number	Articel description	Quantity	Unit
1-2	1204-1012	Spoke guard 20", transparent	1	Pc.
	1204-1013	Spoke guard 22", transparent	1	Pc.
	1204-1014	Spoke guard 24", transparent	1	Pc.
	1204-1020	Spoke guard 20", for drum brake wheels, transparent	1	Pc.
	1204-1018	Spoke guard 22", for drum brake wheels, transparent	1	Pc.
	1204-1019	Spoke guard 24", for drum brake wheels, transparent	1	Pc.
	1	1204-0012	Spoke guard 20", transparent	2
1204-0031		Spoke guard 22", transparent	2	Pc.
1204-0032		Spoke guard 24", transparent	2	Pc.
1204-0013				
1204-0033		Spoke guard 22", for drum brake wheels, transparent	2	Pc.
1204-0034		Spoke guard 24", for drum brake wheels, transparent	2	Pc.
2		1205-0033	Fastening clips for Spoke guard transparent ABS	12
3	1204-2001-xxx	Special inside foiling of spoke guards: Specify the motif when ordering	1	Set

The names of the motifs can be found at the following URL:  
<https://hoggi.de/en/products/spoke-guards>

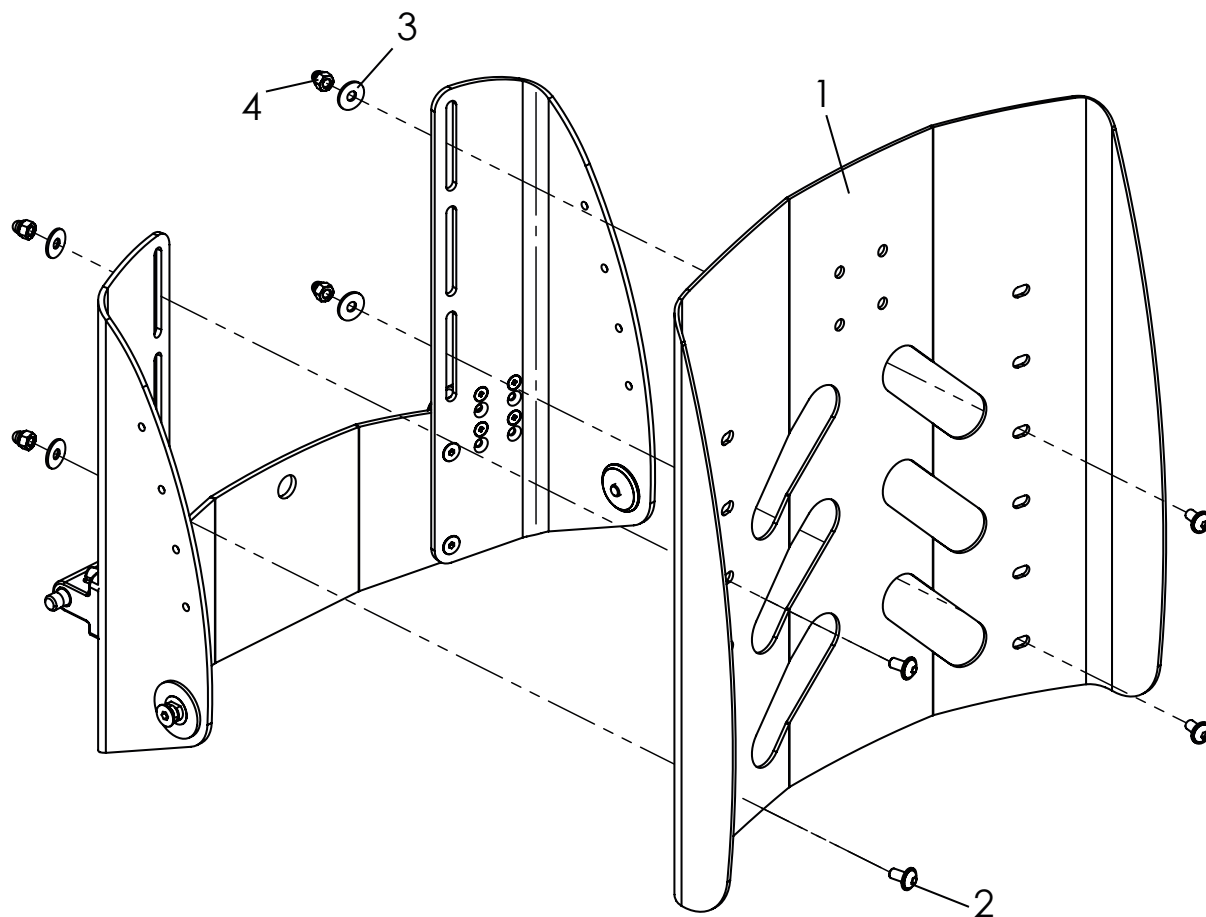


# Spare parts



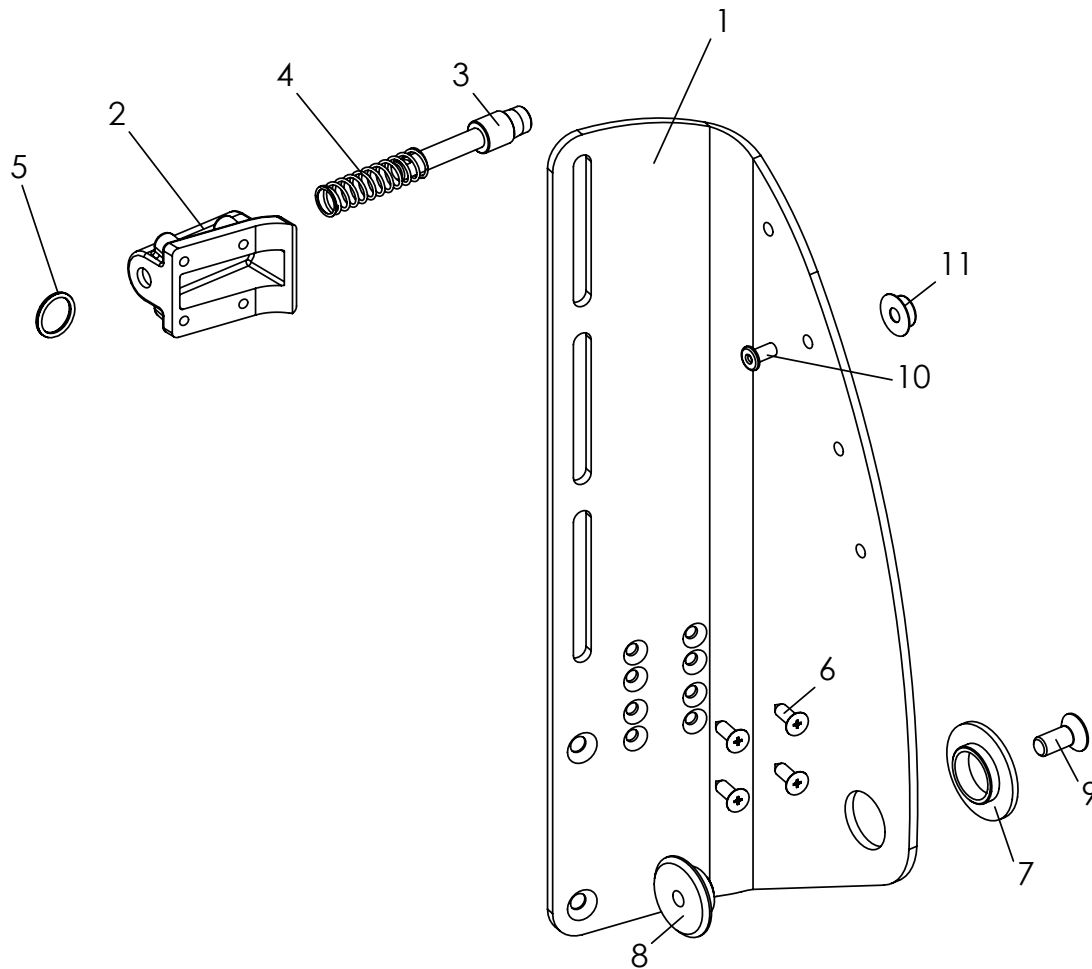
Pos	Article number	Articel description	Quantity	Unit
<b>1-4</b>	<b>3245-29SW-000</b>	<b>Back panel angle- and height adjustable, in frame colour</b>	<b>1</b>	<b>Pc.</b>
1	3245-28SWE-000	Back panel, in frame colour	1	Pc.
2	3245-2610E-000	Back rest base, left, in frame colour	1	Pc.
3	3245-2620E-000	Back rest base, right, in frame colour	1	Pc.
4	3245-27SWE-000	Cross member, in frame colour	1	Pc.

# Spare parts



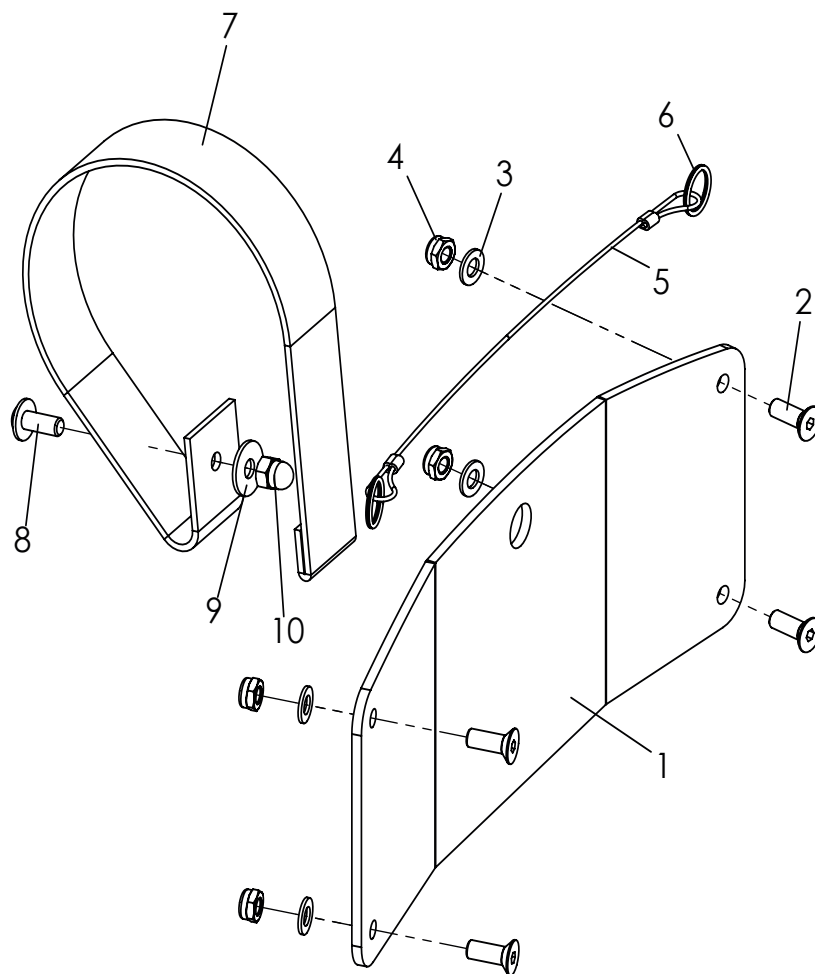
Pos	Article number	Articel description	Quantity	Unit
<b>1-4</b>	<b>3245-28SWE-000</b>	<b>Back panel, complete</b>	<b>1</b>	<b>Pc.</b>
2	1030-0514	Button head socket screw with flange M5x14	4	Pc.
3	1055-0005	Washer A5,3	4	Pc.
4	1044-0005	Hexagonal domed cap nut self-locking M5	4	Pc.

# Spare parts



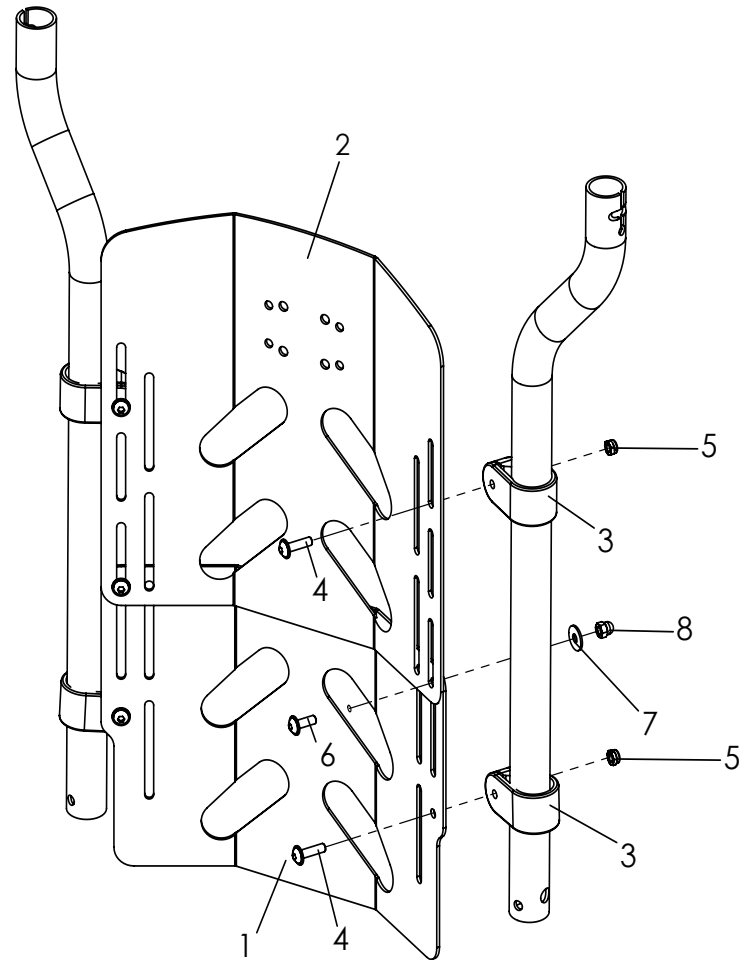
Pos	Article number	Articel description	Quantity	Unit
<b>1-9</b>	<b>3245-2610E-000</b>	<b>Backrest base, left, complete</b>	<b>1</b>	<b>Pc.</b>
	<b>3245-2620E-000</b>	<b>Backrest base, right, complete</b>	<b>1</b>	<b>Pc.</b>
1	3245-2611	Backrest base, left, size 1	1	Pc.
	3245-2621	Backrest base, right, size	1	Pc.
2*	3240-2431	Locking bolt housing	1	Pc.
		* High position 80° up to 120°		
		* Low position 75° up to 115°		
3	3240-2422	Locking bolt	1	Pc.
4	1131-0043	Compression spring D-143F	1	Pc.
5	1129-0036	Key ring 16x1,6	1	Pc.
6	1039-0006	Tapping screw with countersunk head	4	Pc.
7	3245-2613	Flange bushing	1	Pc.
8	3245-2614	Bearing shaft	1	Pc.
9	1024-0612	Hexagon socket countersunk head screw M6x12	1	Pc.
		<i>Pos. 10 and 11 only with upholstery</i>		
10	1062-0406	Blind rivet F4x6	1	Pc.
11	1533-0005	Ring-ball part	1	Pc.

## Spare parts



Pos	Article number	Articel description	Quantity	Unit
<b>1-4</b>	<b>3245-27SWE-000</b>	<b>Cross member, complete</b>	<b>1</b>	<b>Pc.</b>
1	3245-27SW-000	Cross member	1	Pc.
2	1024-0514	Hexagon socket countersunk head screw M5x14	4	Pc.
3	1051-0005	Washer A5,3	4	Pc.
4	1042-0005	Hexagon nut self-locking M5	4	Pc.
5-6	3245-26SWE	Wire-rope, for back rest recline	1	Pc.
6	1129-0036	Key ring 16x1,6	1	Pc.
7-10	1512-0012E	Release strap with fasteners	1	Pc.
7	1512-0012	PP strap 25x350, with a sewn loop opposite the perforation	1	Pc.
8	1030-0512	Button head socket screw with flange M5x12	1	Pc.
9	1055-0005	Washer A5,3	1	Pc.
10	1044-0005	Hexagonal domed cap nut self-locking 986 M5	1	Pc.

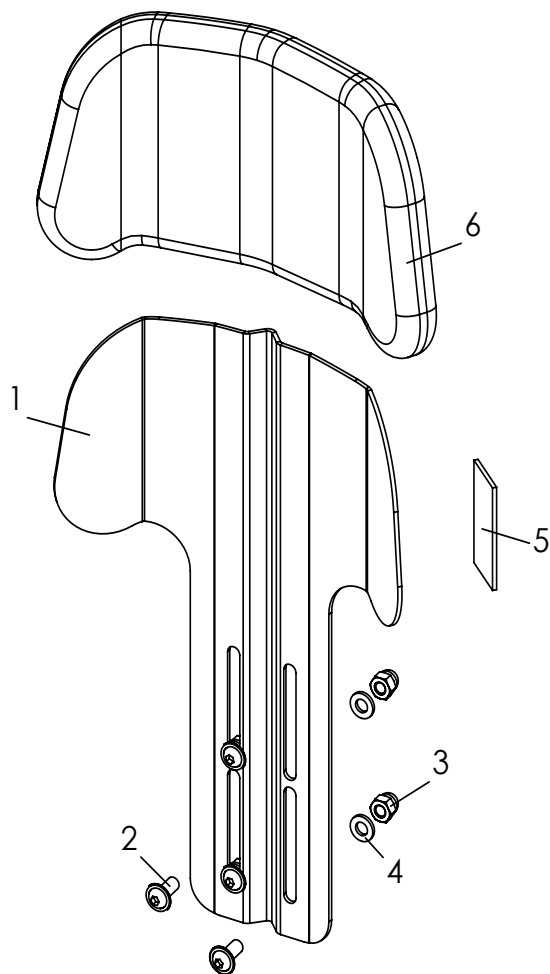
# Spare parts



Pos	Article number	Articel description	Quantity	Unit
<b>1-8</b>	<b>3245-32SW-000</b>	<b>Back panel trough shaped, two parts, height adjustable, in frame colour</b>	<b>1</b>	<b>Pc.</b>
1	3245-33SW-000	Base backrest panel	1	Pc.
2	3245-34SW-000	Upper part backrest panel	1	Pc.
3	3245-3311	Gripper clamp	4	Pc.
4	1030-0518	Button head socket screw with flange M5x18	4	Pc.
<b>5</b>	1042-0005	Hexagon nut self-locking M5	4	Pc.
6	1030-0514	Button head socket screw with flange M5x14	2	Pc.
7	1055-0005	Washer A5,3	2	Pc.
8	1044-0005	Hexagonal domed cap nut self-locking M5	2	Pc.
<b>3-5</b>	<b>3245-3310</b>	<b>Four gripper clamps D25 with fasteners</b>	<b>1</b>	<b>Set</b>

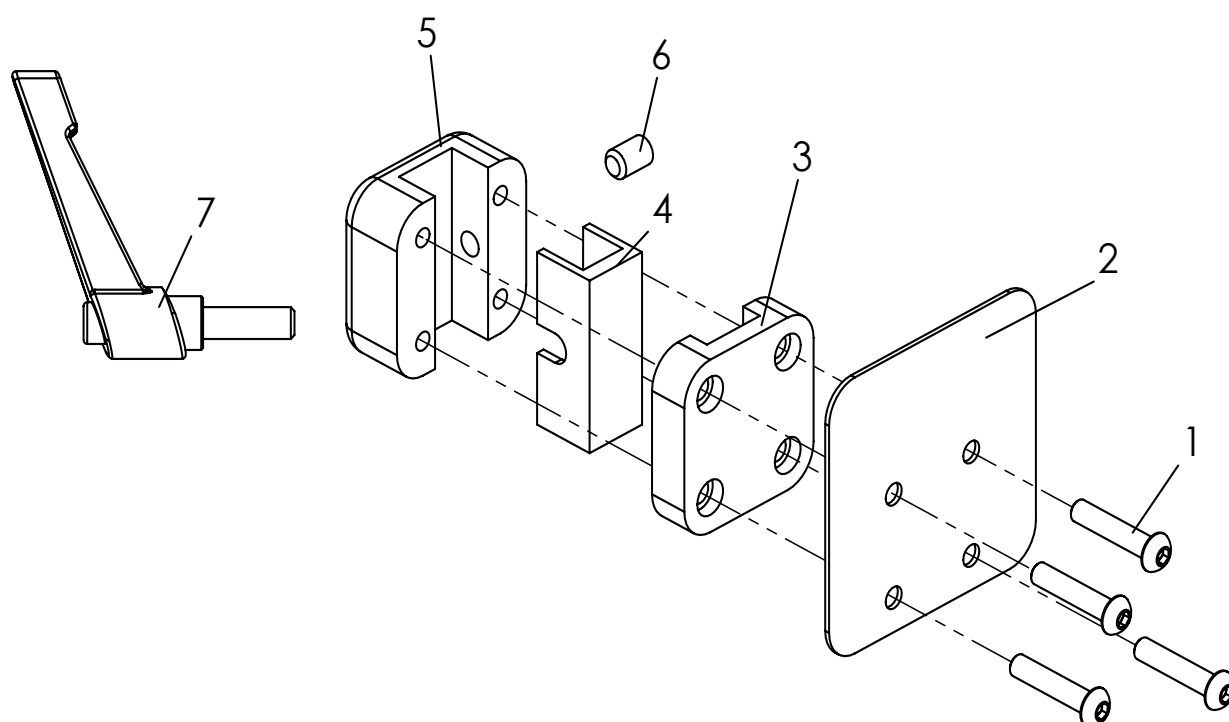
\* From SW 36, the back panel must be fastened with 6 gripper clamps!

# Spare parts



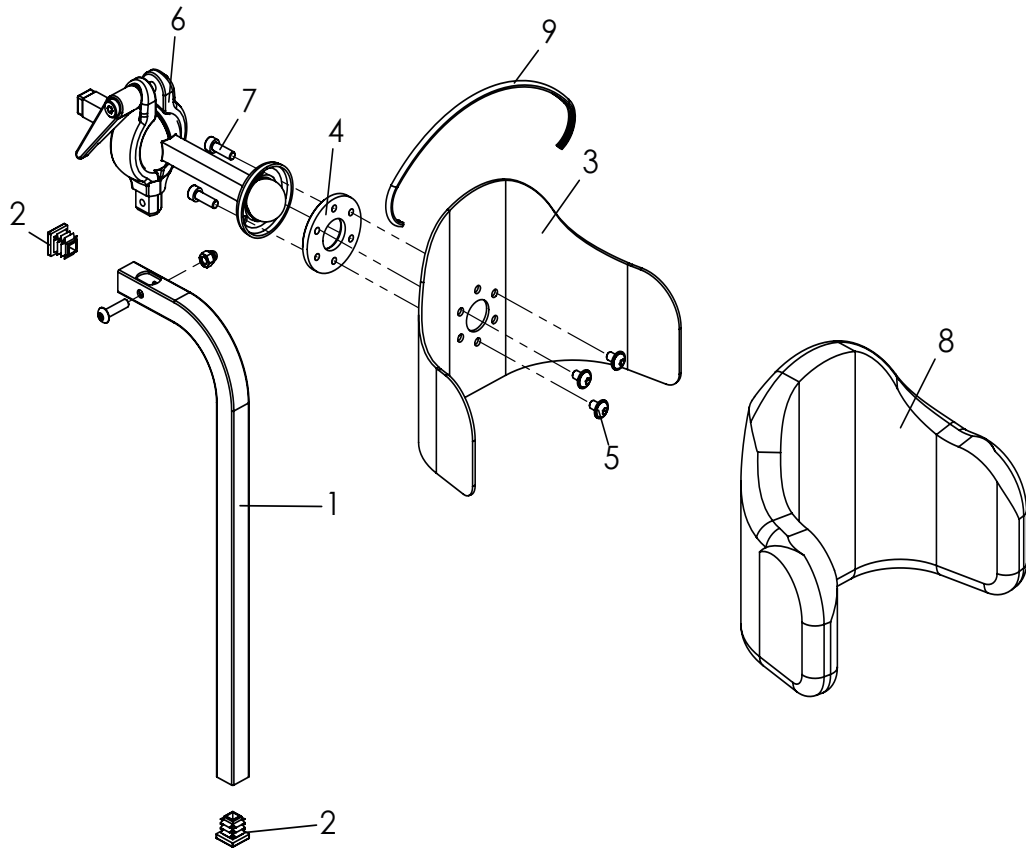
Pos	Article number	Articel description	Quantity	Unit
<b>1-5</b>	<b>3243-7612E-000</b>	<b>Head rest panel size 2, SW 22-26, in frame colour</b>	<b>1</b>	<b>Pc.</b>
	<b>3243-7613E-000</b>	<b>Head rest panel size 3, from SW 28, in frame colour</b>	<b>1</b>	<b>Pc.</b>
2	1030-0614	Button head socket screw with flange M6x14	4	Pc.
3	1044-0006	Hexagonal domed cap nut self-locking M6	4	Pc.
4	1051-0006	Washer A6,4	4	Pc.
5	1501-0003	Hook strap black 25mm self adhesive A glue	0,1	Pc.
6		Head cushion size 2, black	1	Pc.
		Head cushion size 3, black	1	Pc.

# Spare parts



Pos	Article number	Articel description	Quantity	Unit
<b>1-7</b>	<b>3201-3830</b>	<b>Universal headrest bracket</b>	<b>1</b>	<b>Pc.</b>
1	1029-0630	Button head socket screw M6x30	4	Pc.
2	3201-3834-015	Reinforcing plate back, FS black	1	Pc.
3	3201-3831	Clamp bottom part	1	Pc.
4	3201-3833	Reducing piece	1	Pc.
5	3201-3832	Clamp upper part	1	Pc.
6	1031-0812	Hexagon socket set screw M8x12	1	Pc.
7	1121-0825	Locking lever PA black M8x25	1	Pc.

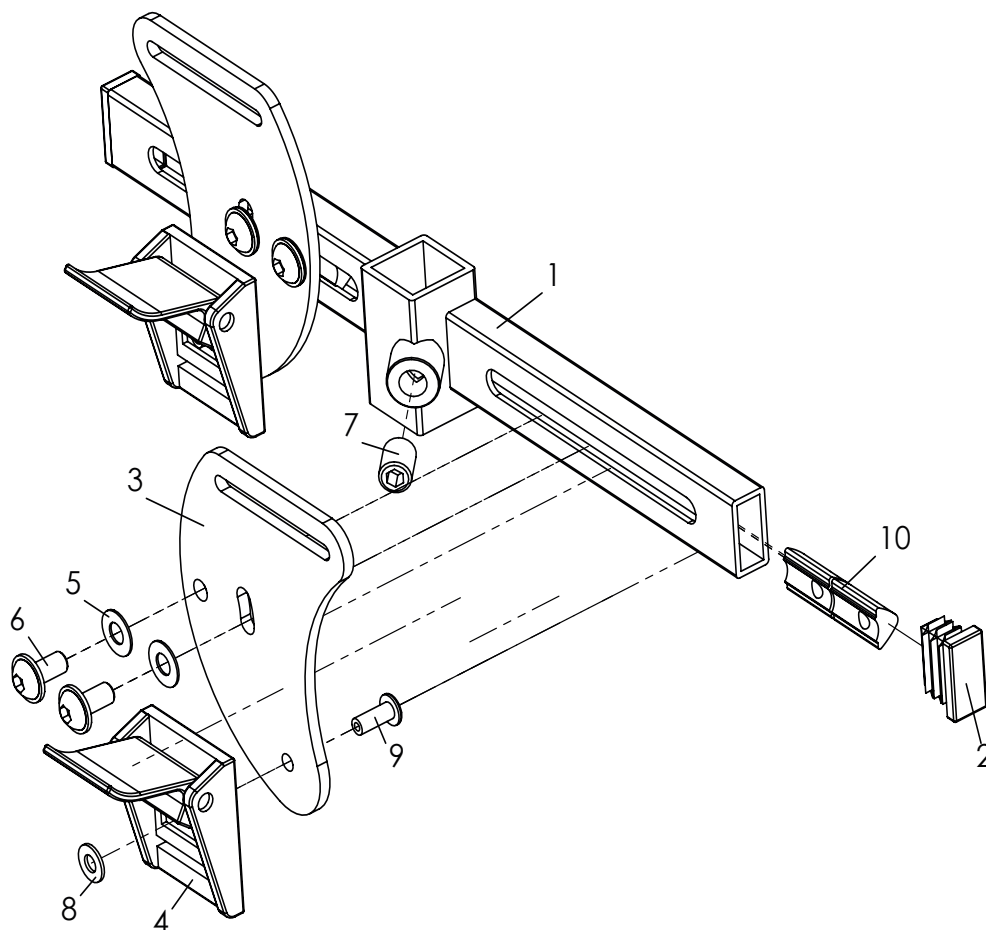
# Spare parts



Pos	Article number	Articel description	Quantity	Unit
<b>1-9</b>	<b>3245-7800-306</b>	<b>Head rest with mounting bracket, no cushion</b>	<b>1</b>	<b>Pc.</b>
1	3245-7821-016	Pillar 90°	1	Pc.
2	1141-0030	Ribbed insert VL 15x15x0,8-2 black	2	Pc.
3	3245-7832	Pelotte	1	Pc.
4	3245-7831-008	Clamping ring	1	Pc.
5	1030-0508	Button head socket screw with flange M5x8	3	Pc.
6	3245-7810	Ball-head clamping complete	1	Pc.
7	1021-0516	Hexagon socket head cap screw M5x16	3	Pc.
8	3245-7850-306	Head rest cushion, black	1	Pc.
9	1144-0001	KS-Profil PVC	0,8	m

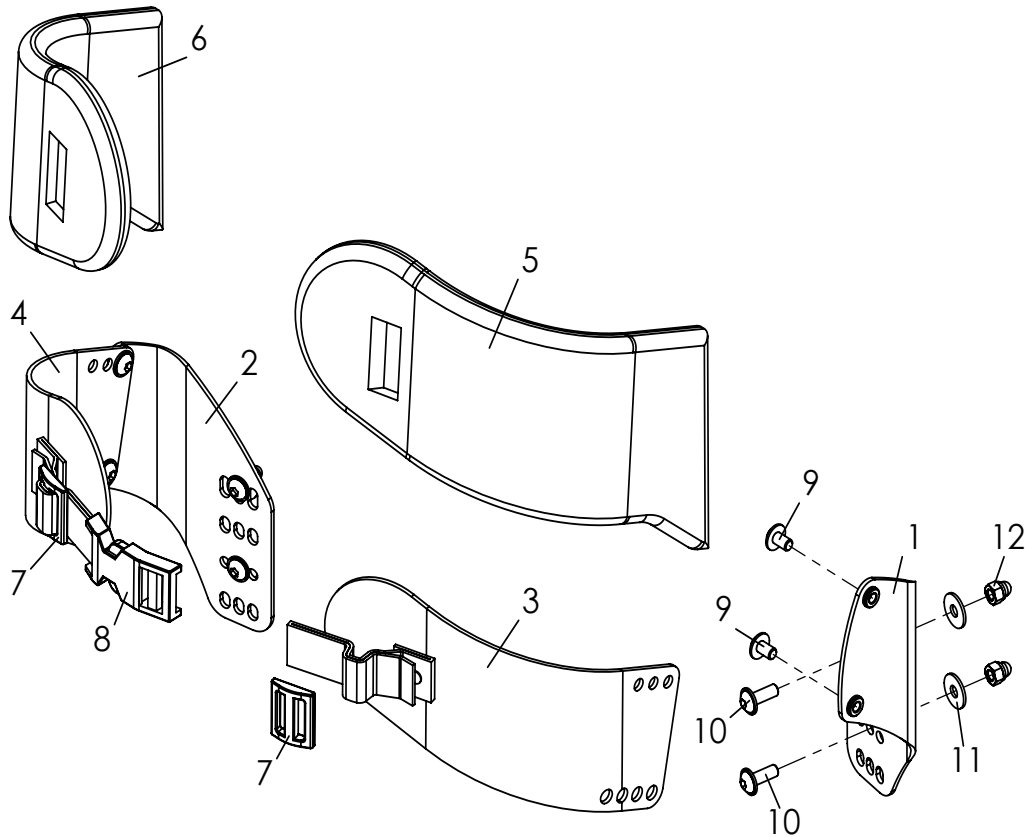


# Spare parts



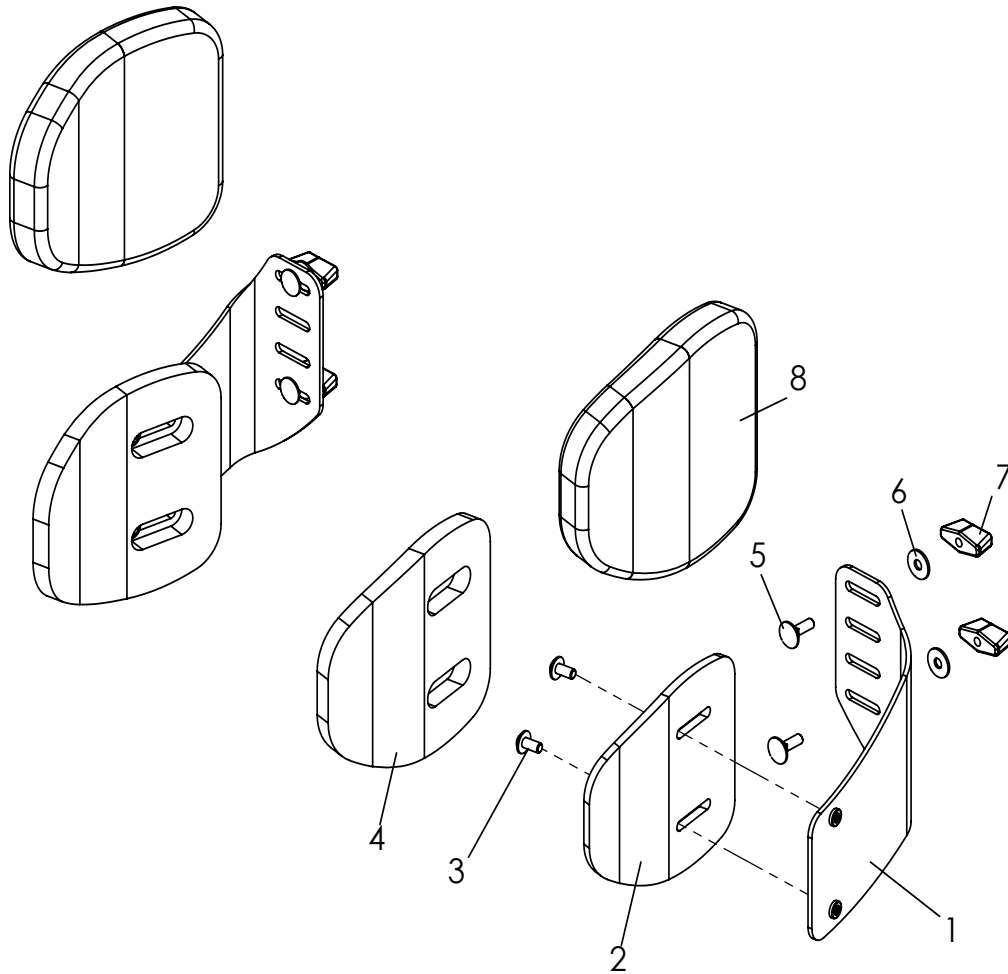
Pos	Article number	Articel description	Quantity	Unit
<b>1-5</b>	<b>3200-0401</b>	<b>Belt routing as a T-strap above the shoulders</b>	<b>1</b>	<b>Pc.</b>
1	3200-0410-015	T-beam	1	Pc.
2	1141-0040	Ribbed insert VL 10x20 x 0,8-2 black	2	Pc.
3	3200-0431-015	Shoulder strap guide	2	Pc.
4	1530-0001	Cam buckle HPCB 325	2	Pc.
5	1052-0005	Spring washer B5	4	Pc.
6	1030-0510	Button head socket screw M5x10	4	Pc.
7	1031-0812	Hexagon socket set screw M8x12	1	Pc.
8	1051-0004	Washer A4,3	2	Pc.
9	1062-0410	Blind rivet St/St DIN/ISO 7337 F4x10	2	Pc.
10	1049-0073	Nut insert for system profile, M5	4	Pc.

# Spare parts



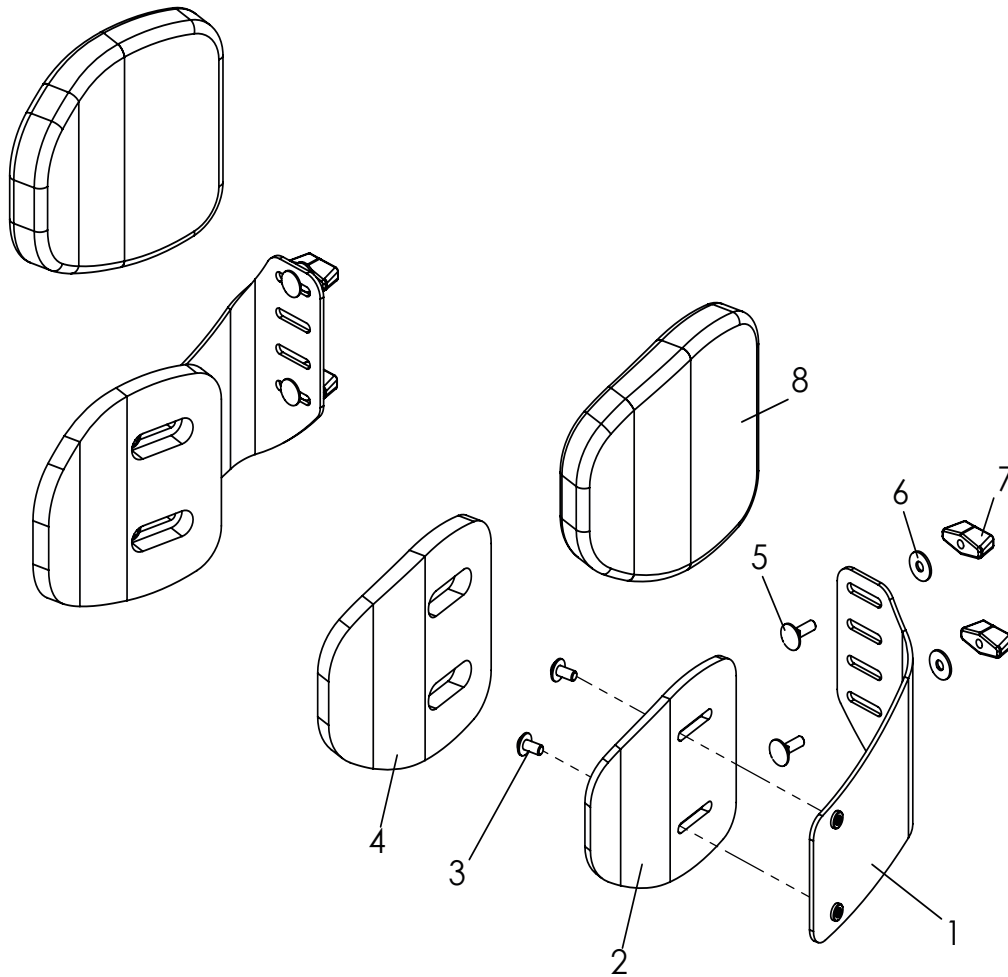
Pos	Article number	Article description	Quantity	Unit
<b>1-12</b>	<b>3245-6401-346</b>	<b>Chest-/ thoracic support size 1</b>	<b>1</b>	<b>Pc.</b>
	<b>3245-6402-346</b>	<b>Chest- / thoracic support size 2</b>	<b>1</b>	<b>Pc.</b>
	<b>3245-6403-346</b>	<b>Chest / thoracic support size 3</b>	<b>1</b>	<b>Pc.</b>
1	3240-6410	Support left	1	Pc.
2	3240-6420	Support right	1	Pc.
3	3240-6454	Pad with belt size 1, left	1	Pc.
	3240-6464	Pad with belt size 2, left	1	Pc.
	3240-6474	Pad with belt size 3, left	1	Pc.
4	3240-6455	Pad with belt size 1, right	1	Pc.
	3240-6465	Pad with belt size 2, right	1	Pc.
	3240-6475	Pad with belt size 3, right	1	Pc.
5	3240-6452-346	Pad upholstery size 1, left	1	Pc.
	3240-6462-346	Pad upholstery size 2, left	1	Pc.
	3240-6472-346	Pad upholstery size 3, left	1	Pc.
6	3240-6453-346	Pad upholstery size 1, right	1	Pc.
	3240-6463-346	Pad upholstery size 2, right	1	Pc.
	3240-6473-346	Pad upholstery size 3, right	1	Pc.
7	1530-0005	Buckle TG 20/N	2	Pc.
8	1531-0012	Side Release buckle for SBO chest/thoracic pads	1	Pc.
9	1030-0508	Button head socket screw with flange M5x10	4	Pc.
10	1030-0514	Button head socket screw with flange M5x14	4	Pc.
11	1055-0005	Washer A5,3	4	Pc.
12	1044-0005	Hexagonal domed cap nut self-locking M5	4	Pc.

# Spare parts



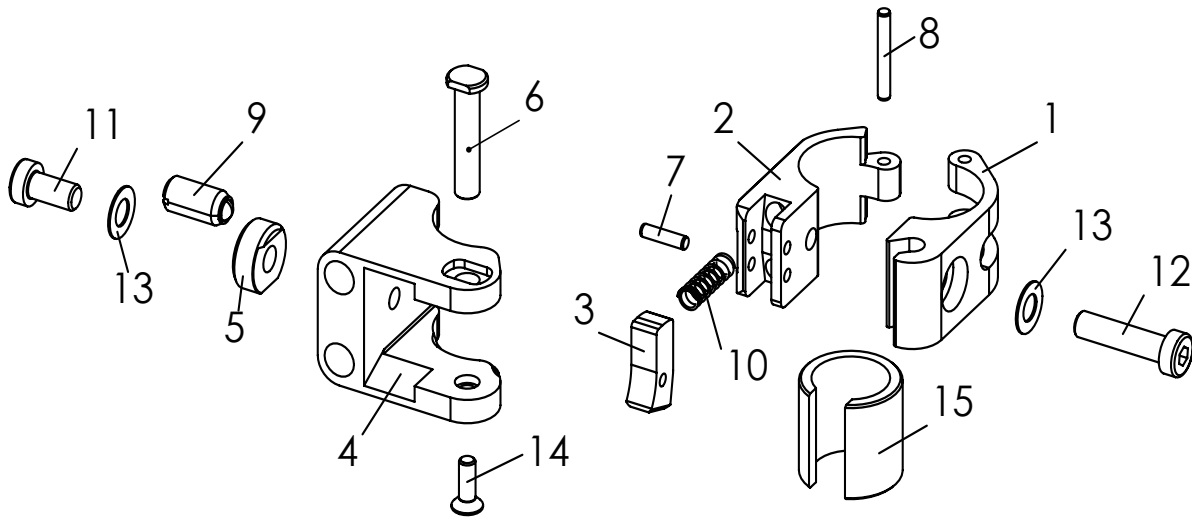
Pos	Article number	Articel description	Quantity	Unit
<b>1-8</b>	<b>3246-68SW-306</b>	<b>Thoracic support, Back panel trough shaped</b>	<b>1</b>	<b>Pc.</b>
<b>1</b>	<b>3246-6820-015</b>	Pad holder 20° left, 20° for SW 44	<b>1</b>	<b>Pc.</b>
	3246-6810-015	Pad holder 20° right, 20° for SW 44	1	Pc.
	3246-6840-015	Pad holder 25° left, 25° for SW 24, 26, 36, 40	1	Pc.
	3246-6830-015	Pad holder 25° right, 25° for SW 24, 26, 36, 40	1	Pc.
	3246-6860-015	Pad holder 30° left, 30° for SW 32, 34	1	Pc.
	3246-6850-015	Pad holder 30° right, 30° for SW 32, 34	1	Pc.
	3246-6880-015	Pad holder 35° left, 35° for SW 28, 30	1	Pc.
	3246-6870-015	Pad holder 35° left, 35° for SW 28, 30	1	Pc.
2	3220-2030	Pad	2	Pc.
3	1030-0510	Button head socket screw with flange M5x10	2	Pc.
4	3220-2040	Adhesive foam pad for RAC trunk support	2	Pc.
5	1026-0516	Mushroom head square neck bolt M5x16	4	Pc.
6	1055-0005	Washer A5,3	4	Pc.
7	1123-0500	Wing nut PA black M5	4	Pc.
8	3220-2020-306	Cover of trunk support, black	2	Pc.

# Spare parts



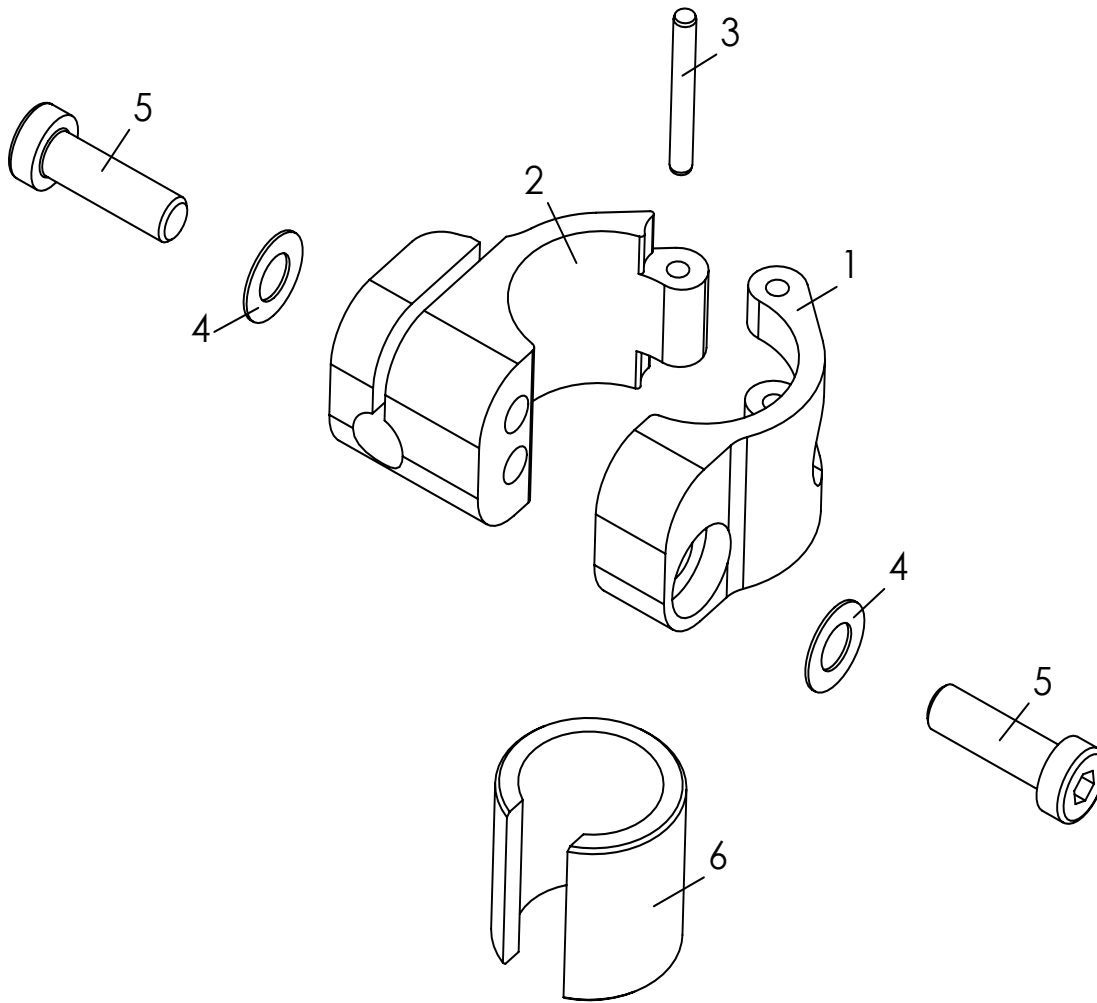
Pos	Article number	Articel description	Quantity	Unit
<b>1-8</b>	<b>3245-6802-306</b>	<b>Thoracic support, 12x13x2, only for back, angle and height adjustable</b>	<b>1</b>	<b>Pair</b>
1	3245-6810-015	Pelotte support right	1	Pc.
	3245-6820-015	Pelotte support left	1	Pc.
2	3220-2030	Pelotte	2	Pc.
3	1030-0510	Button head socket screw with flange M5x10	2	Pc.
4	3220-2040	Adhesive foam pad for RAC trunk support	2	Pc.
5	1026-0516	Mushroom head square neck bolt M5x16	4	Pc.
6	1055-0005	Washer A5,3	4	Pc.
7	1123-0500	Wing nut PA black M5	4	Pc.
8	3220-2020-306	Cover of trunk support, black	2	Pc.

# Spare parts



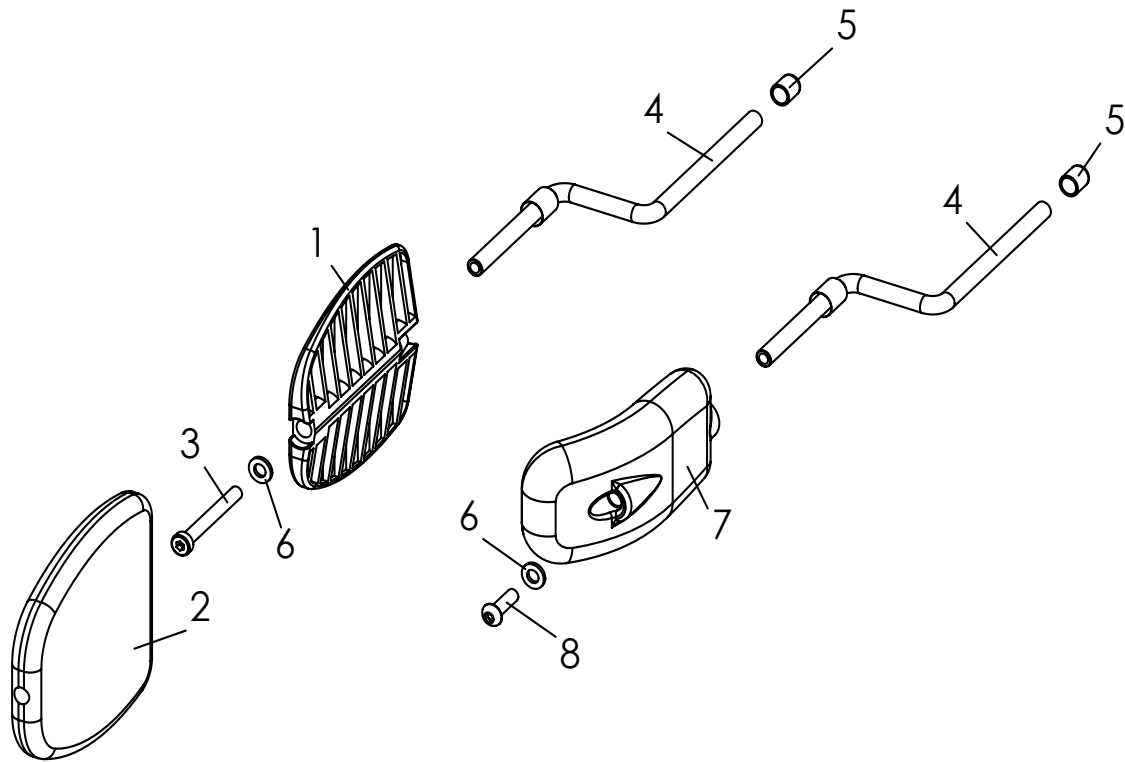
Pos	Article number	Articel description	Quantity	Unit
<b>1-14</b>	<b>2240-1505</b>	<b>MDP pad holder swing away and detachable for attachment to round tube D25 mm, left side</b>	<b>1</b>	<b>Pc.</b>
	<b>2240-1506</b>	<b>MDP pad holder swing away and detachable for attachment to round tube D25 mm, right side</b>	<b>1</b>	<b>Pc.</b>
1	2240-1421-007	Clamping half swing away Ø 25	1	Pc.
2	2240-1422-007	Clamping half swing away Ø 25 - M6	1	Pc.
3	2240-1423-007	Pawl	1	Pc.
4	2240-1431-007	Swing lever MDP pad holder	1	Pc.
5	2240-1433	Clamping disc on one side Ø18	1	Pc.
6	2240-1434	Locking shaft	1	Pc.
7	1071-0312	Parallel pin 3m6x12	1	Pc.
8	1071-0322	Parallel pin 3m6x22	1	Pc.
9	1139-0004	spring-loaded pressure piece with POM D=M08, L=16	1	Pc.
10	1131-0037	Compression spring D-090w 0,6x5,6x18	1	Pc.
11	1022-0612	Hexagon socket head cap screw zp M6x12	1	Pc.
12	1022-0625	Hexagon socket head cap screw zp M6x25	1	Pc.
13	1052-0006	Spring washer B6 zp	2	Pc.
14	1024-0410	Hexagon socket countersunk head screw zp M4x10	1	Pc.
15	2240-1441	Reducing bush Ø19	1	Pc.
	2240-1442	Reducing bush Ø22	1	Pc.

## Spare parts



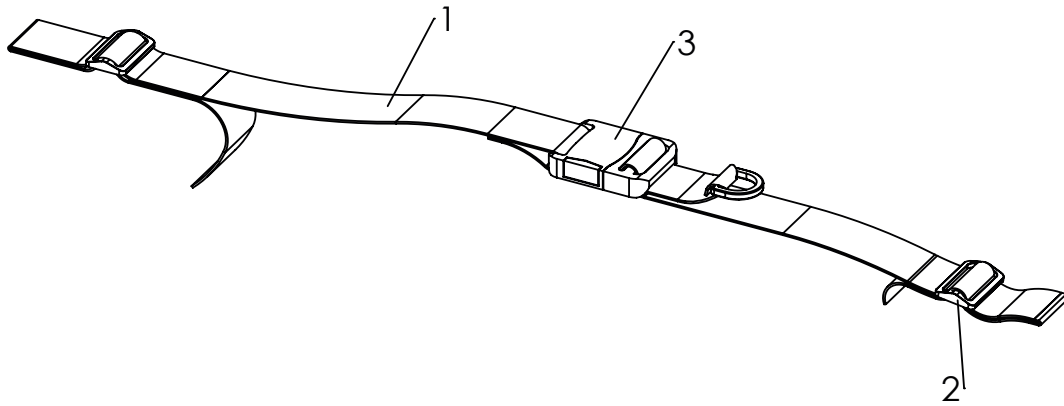
Pos	Article number	Articel description	Quanti	Unit
<b>1-5</b>	<b>2240-1403</b>	<b>MDP pad holder fixed for attachment to round tube D25 mm, left/right</b>	<b>1</b>	<b>Pc.</b>
1	2240-1411-007	Clamping half Ø 25	1	Pc.
2	2240-1412-007	Clamping half Ø 8-25	1	Pc.
3	1071-0324	Parallel pin DIN/ISO 6325 3m6x24	1	Pc.
4	1052-0006	Spring washer B6 zp DIN/ISO 137 B6	2	Pc.
5	1022-0620	Hexagon socket head cap screw zp DIN/ISO 7984 M6x20	2	Pc.
6	2240-1441	Reducing bush Ø19	1	Pc.
	2240-1442	Reducing bush Ø22	1	Pc.

# Spare parts



Pos	Article number	Articel description	Quantity	Unit
1-6	<b>2240-1461-346</b>	<b>MDP trunk support size 1 (8 x 10 x 2 cm), cover black</b>	<b>1</b>	<b>Pc.</b>
	<b>2240-1462-346</b>	<b>MDP trunk support size 2 (10 x 12 x 2 cm), cover black</b>	<b>1</b>	<b>Pc.</b>
	<b>2240-1463-346</b>	<b>MDP trunk support size 3 (12 x 13 x 2 cm), cover black</b>	<b>1</b>	<b>Pc.</b>
4-8	<b>2240-1471</b>	<b>MDP trunk support curved size 1 (6 x 11,5 x 2,5 cm), PU w/o cover</b>	<b>1</b>	<b>Pc.</b>
	<b>2240-1472</b>	<b>MDP trunk support curved size 2 (8 x 14 x 2,5 cm), PU w/o cover</b>	<b>1</b>	<b>Pc.</b>
1	3231-7730	Pad size 1	1	Pc.
	3233-7730	Pad size 2	1	Pc.
	3235-7730	Pad size 3	1	Pc.
2	3231-7760-346	Cover thorax pad size 1, black	1	Pc.
	3233-7760-346	Cover thorax pad size 2, black	1	Pc.
	3203-7760-346	Cover thorax pad size 3, black	1	Pc.
3	1022-0620	Hexagon socket head cap screw zp M6x20	1	Pc.
	1022-0640	Hexagon socket head cap screw zp M6x40	1	Pc.
	1022-0650	Hexagon socket head cap screw zp M6x50	1	Pc.
4	3006-7710-033	Swivel Lever Trunk support SK, black galvanized	1	Pc.
5	1142-0016	Cover K 8 PE black	1	Pc.
6	1051-0006	Washer A6,4 zp DIN/ISO 125 A6,4	1	Pc.
7	3401-7740-001	PU- trunk support with inserts, size 1, black	1	Pc.
	3401-7760-001	PU- trunk support with inserts, size 2, black	1	Pc.
8	1029-0620	Button head socket screw M6x20	1	Pc.

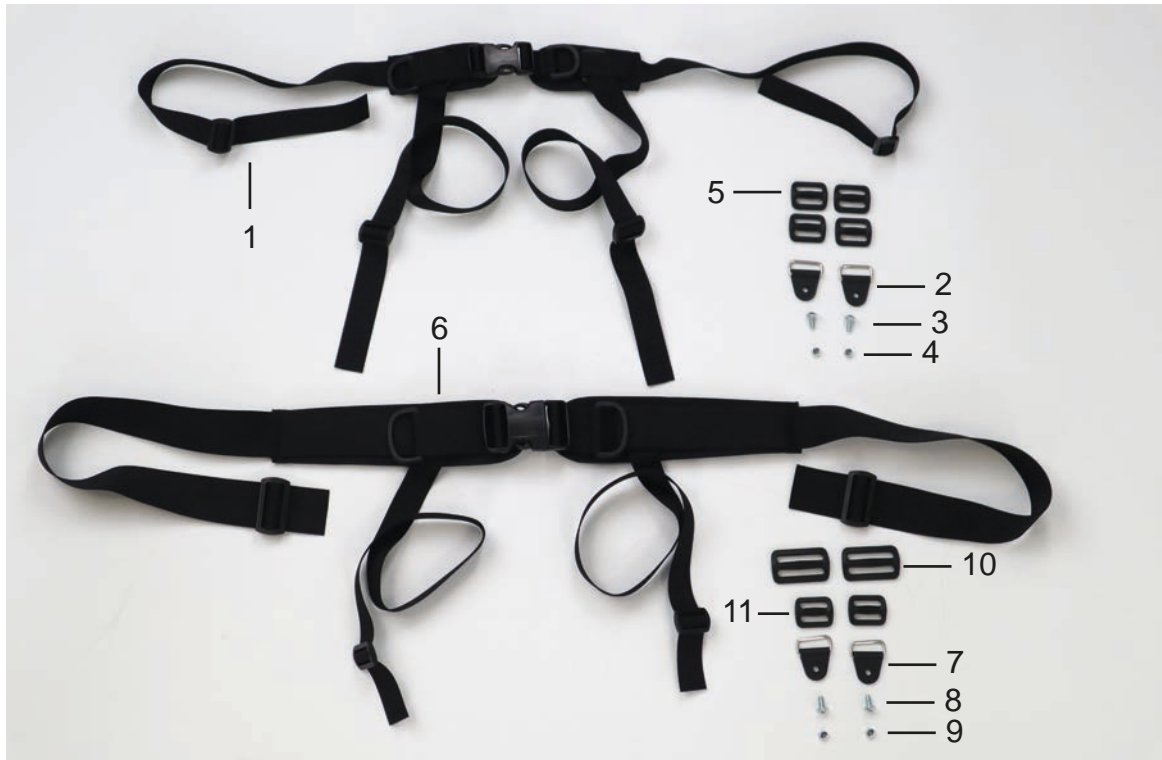
# Spare parts



Pos	Article number	Articel description	Quantity	Unit
<b>1-3</b>	<b>3201-6100</b>	<b>Hip belt</b>	<b>1</b>	<b>Pc.</b>
2	1530-0003	Buckle TG 40/N	2	Pc.
3	1531-0002	Buckle SS40/HC	1	Pc.

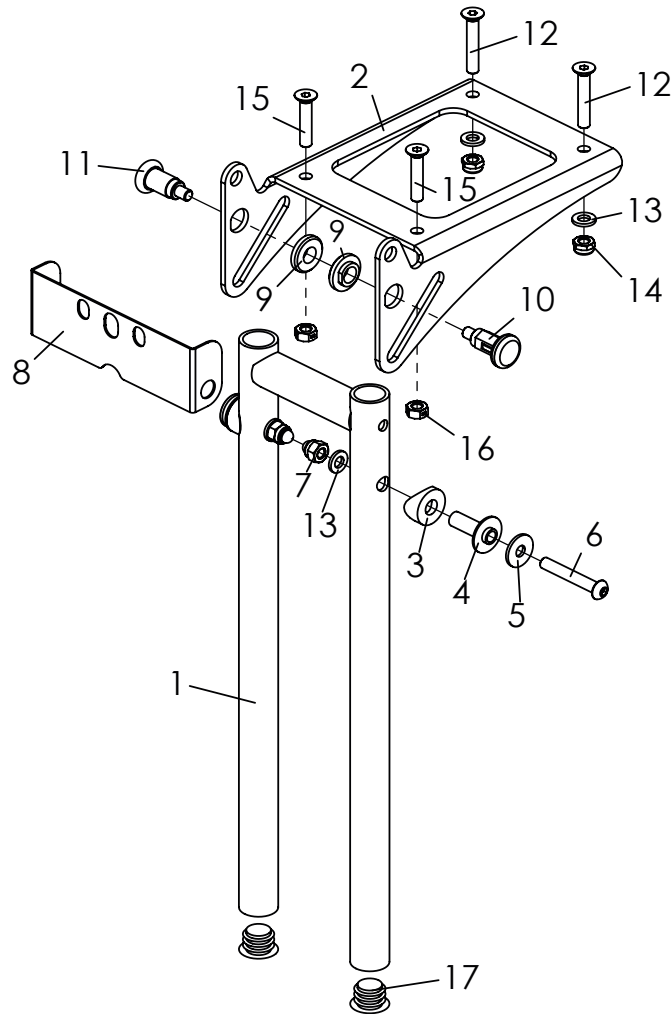


# Spare parts



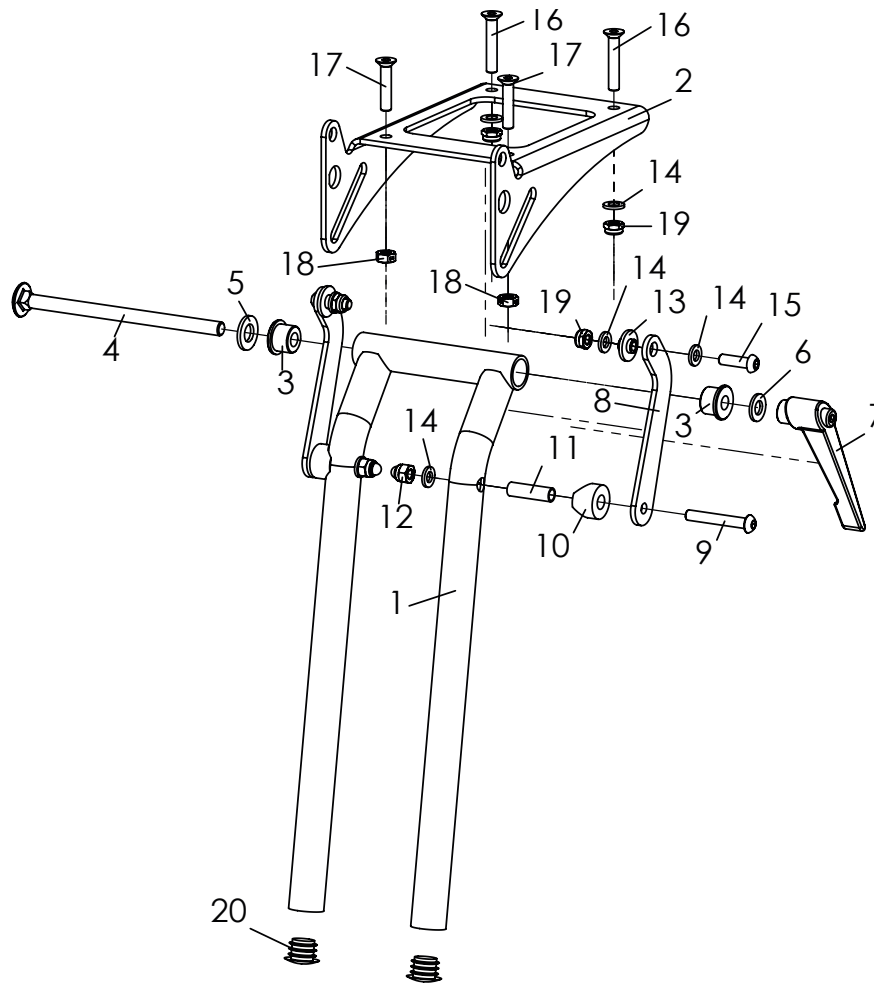
Pos	Article number	Articel description	Quantity	Unit
<b>1-5</b>	<b>3240-6701</b>	<b>4-point lap belt size XS (for seat width 18 - 24)</b>	<b>1</b>	<b>Pc.</b>
	<b>3240-6702</b>	<b>4-point lap belt size S (for seat width 22 - 30)</b>	<b>1</b>	<b>Pc.</b>
1	7000-0055	4-point spina strap size XS (for seat width 18 - 24)	1	Pc.
	7000-0056	4-point spina strap size S (for seat width 22 - 30)	1	Pc.
2	1532-0003	Rectangle-ring with plastic tab NY 140 NP/25 black	2	Pc.
3	1030-0510	Button head socket screw with flange M5x10	2	Pc.
4	1042-0005	Hexagon nut self-locking M5	2	Pc.
5	1530-0004	Buckle TG 25/N	4	Pc.
<b>6-11</b>	<b>3240-6703</b>	<b>4-point lap belt size M (for seat width 28 - 36)</b>	<b>1</b>	<b>Pc.</b>
	<b>3240-6704</b>	<b>4-point lap belt size L (for seat width 34 - 42)</b>	<b>1</b>	<b>Pc.</b>
6	7000-0057	4-point spina strap size M (for seat width 28 - 36)	1	Pc.
	7000-0067	4-point spina strap size L (for seat width 34 - 42)	1	Pc.
7	1532-0003	Rectangle-ring with plastic tab NY 140 NP/25 black	2	Pc.
8	1030-0510	Button head socket screw with flange M5x10	2	Pc.
9	1042-0005	Hexagon nut self-locking M5	2	Pc.
10	1530-0003	Buckle TG 40/N	2	Pc.
11	1530-0004	Buckle TG 25/N	2	Pc.

# Spare parts



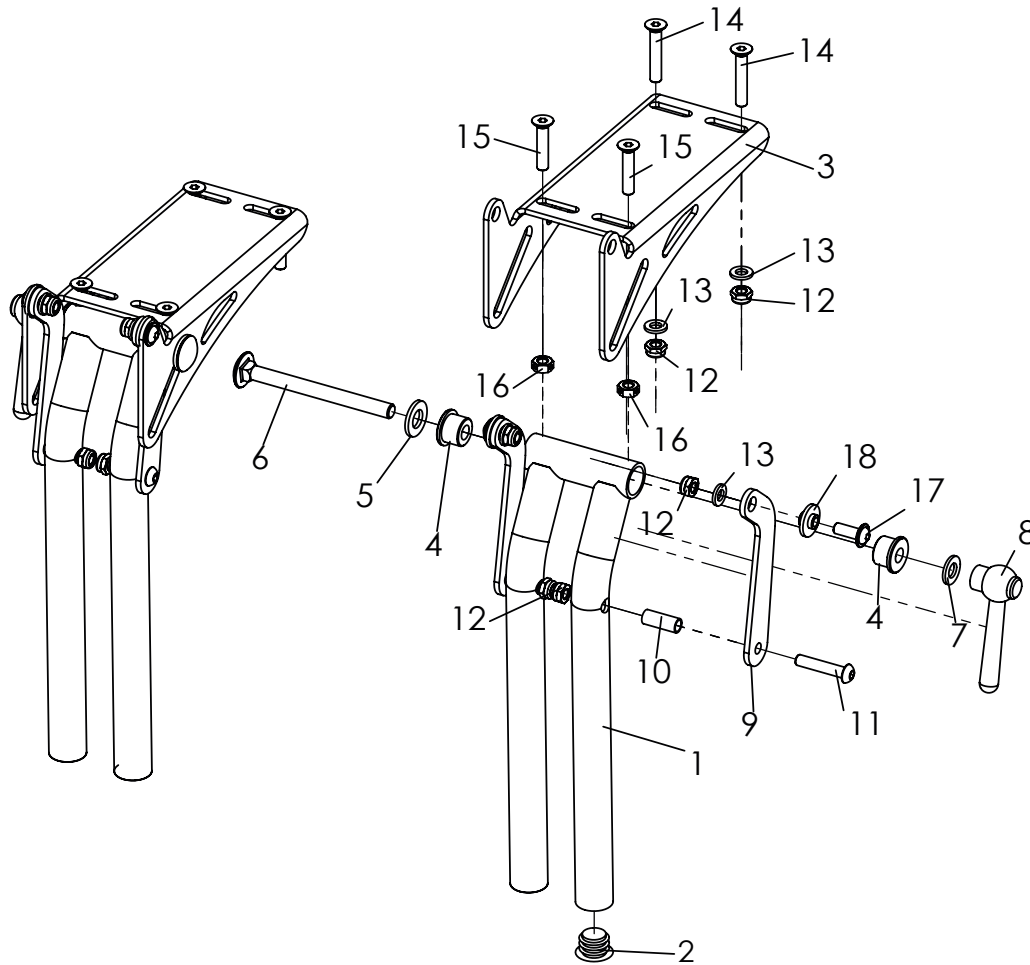
Pos	Article number	Articel description	Quantity	Unit
1-17	<b>3246-4005E-015</b>	<b>Foot rest hanger 90°, lower leg length short 16-27 cm</b>	<b>1</b>	<b>Pc.</b>
	<b>3246-4006E-015</b>	<b>Foot rest hanger 90°, lower leg length long 16-37 cm</b>	<b>1</b>	<b>Pc.</b>
1	3246-4250-015	Footrest holder 90°, length 260 mm, FS black	1	Pc.
	3231-2520-015	Footrest holder 90°, length 340 mm, FS black	1	Pc.
2	3231-2411-007	Console for footrest black anodized	1	Pc.
3	1111-0016	Saddle washer PA black 20x8.4x3	2	Pc.
4	3231-2532	Pivot bearing	2	Pc.
5	1055-0006	Washer A6,4	2	Pc.
6	1029-0640	Button head socket screw M6x40	2	Pc.
7	1044-0006	Hexagonal domed cap nut self-locking M6	2	Pc.
8	3231-2545	Fold stop	1	Pc.
9	3231-2544	Nut for lock pin	2	Pc.
10	1127-0011	Lock pin with lock	1	Pc.
11	1127-0010	Lock pin	1	Pc.
12	1024-0635	Hexagon socket countersunk head screw M6x35	2	Pc.
13	1051-0006	Washer A6,4	4	Pc.
14	1042-0006	Hexagon nut self-locking M6	2	Pc.
15	1024-0630	Hexagon socket countersunk head screw M6x30	2	Pc.
16	1049-0068	BILOC-nut M6	2	Pc.
17	1141-0006	Ribbed insert SFL 20x0,8-2,5	2	Pc.

# Spare parts



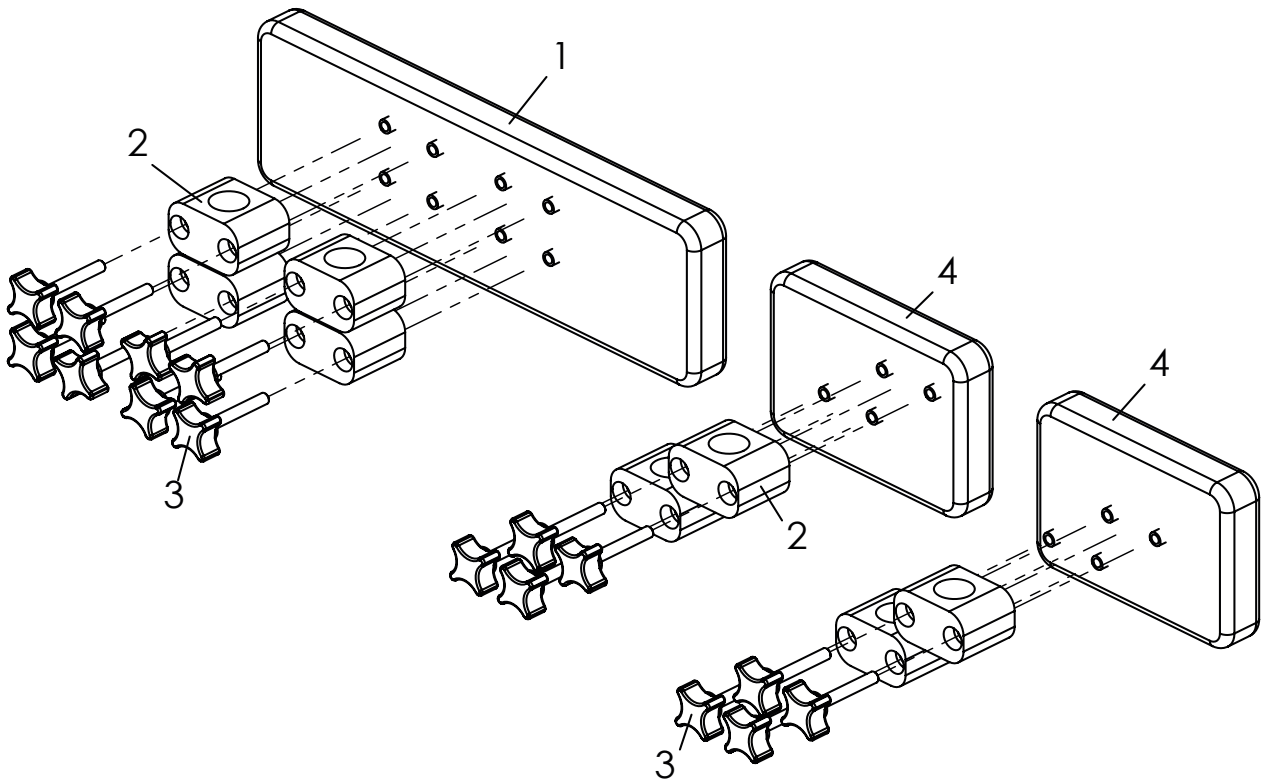
Pos	Article number	Articel description	Quantity	Unit
<b>1-21</b>	<b>3246-4007E-015</b>	<b>Foot rest hanger angle adjustable 85-160°, lower leg short 19-27 cm</b>	<b>1</b>	<b>Pc.</b>
	<b>3246-4008E-015</b>	<b>Foot rest hanger angle adjustable 85-160°, lower leg length 19-37 cm</b>	<b>1</b>	<b>Pc.</b>
1	3240-2860-015	Footrest adapter, angle adjustable, LLL 16-26 cm	1	Pc.
	3240-2870-015	Footrest adapter, angle adjustable, LLL 16-36 cm	1	Pc.
2	3231-2411-007	Console for footrest black anodized	1	Pc.
3	3240-2864	Clamp bushing	2	Pc.
4	1026-0813	Mushroom head square neck bolt M8x130	1	Pc.
5	1051-0010	Washer A10,5	1	Pc.
6	1051-0008	Washer A8,4	1	Pc.
7	1121-0800	Locking lever PA black M8	1	Pc.
8	3231-2432-032	Pivot lever strut, black dull matt	2	Pc.
9	1029-0640	Button head socket screw M6x40	2	Pc.
10	1111-0018	Saddle washer PA black 20x8.4x7	2	Pc.
11	1114-0025	Bushing zp 8x0,8x27	2	Pc.
12	1044-0006	Hexagonal domed cap nut self-locking zp DIN/ISO 986 M6	2	Pc.
13	3210-1238	Shoulder bushing	2	Pc.
14	1051-0006	Washer A6,4	8	Pc.
15	1029-0620	Button head socket screw M6x20	2	Pc.
16	1024-0635	Hexagon socket countersunk head screw M6x35	2	Pc.
17	1024-0630	Hexagon socket countersunk head screw M6x30	2	Pc.
18	1049-0068	BILOC-nut M6	2	Pc.
19	1042-0006	Hexagon nut self-locking M6	4	Pc.
20	1141-0006	Ribbed insert SFL 20x0,8-2,5	2	Pc.

# Spare parts



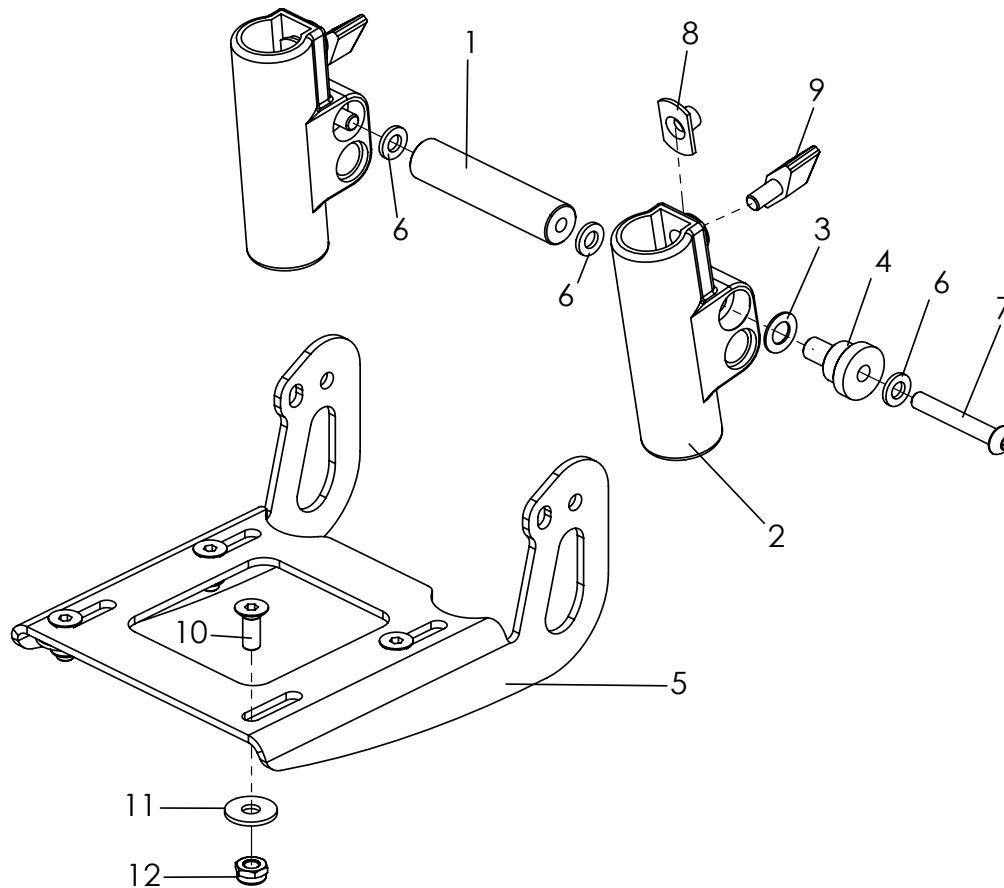
Pos	Article number	Articel description	Quantity	Unit
<b>1-18</b>	<b>3246-4003L-015</b>	<b>Single knee angle system, angle adjustable 85-160°,UL short 19-27 cm, left</b>	<b>1</b>	<b>Pc.</b>
	<b>3246-4003R-015</b>	<b>Single knee angle system, angle adjustable 85-160°,UL short 19-27 cm, right</b>	<b>1</b>	<b>Pc.</b>
	<b>3246-4004L-015</b>	<b>Single knee angle system, angle adjustable 85-160°, UL long 19-37 cm, left</b>	<b>1</b>	<b>Pc.</b>
	<b>3246-4004R-015</b>	<b>Single knee angle system, angle adjustable 85-160°, UL long 19-37 cm, right</b>	<b>1</b>	<b>Pc.</b>
1	3232-2510-015	Bracket for footrest hanger angle adjustable, 334mm	1	Pc.
	3246-4270-015	Bracket for footrest hanger angle adjustable, 264mm	1	Pc.
2	1141-0006	Ribbed insert SFL 20x0,8-2,5	2	Pc.
3	3232-2411-007	Console for footrest anodized	1	Pc.
4	3240-2864	Clamp bushing	2	Pc.
5	1051-0010	Washer A10,5	1	Pc.
6	1026-0890	Mushroom head square neck bolt M8x90	1	Pc.
7	1051-0008	Washer A8,4	1	Pc.
8	1129-0013-033	Adjustable coniform lever M8	1	Pc.
9	3231-2432-032	Operating lever	2	Pc.
10	1114-0013	Bushing zp 8x0,8x20	2	Pc.
11	1029-0630	Button head socket screw M6x30	2	Pc.
12	1042-0006	Hexagon nut self-locking M6	6	Pc.
13	1051-0006	Washer A6,4	4	Pc.
14	1024-0635	Hexagon socket countersunk head screw M6x35	2	Pc.
15	1024-0630	Hexagon socket countersunk head screw M6x30	2	Pc.
16	1049-0068	Biloc-nut M6	2	Pc.
17	1030-0618	Button head socket screw with flange M6x18	2	Pc.
18	3210-1238	Shoulder bushing	2	Pc.

# Spare parts



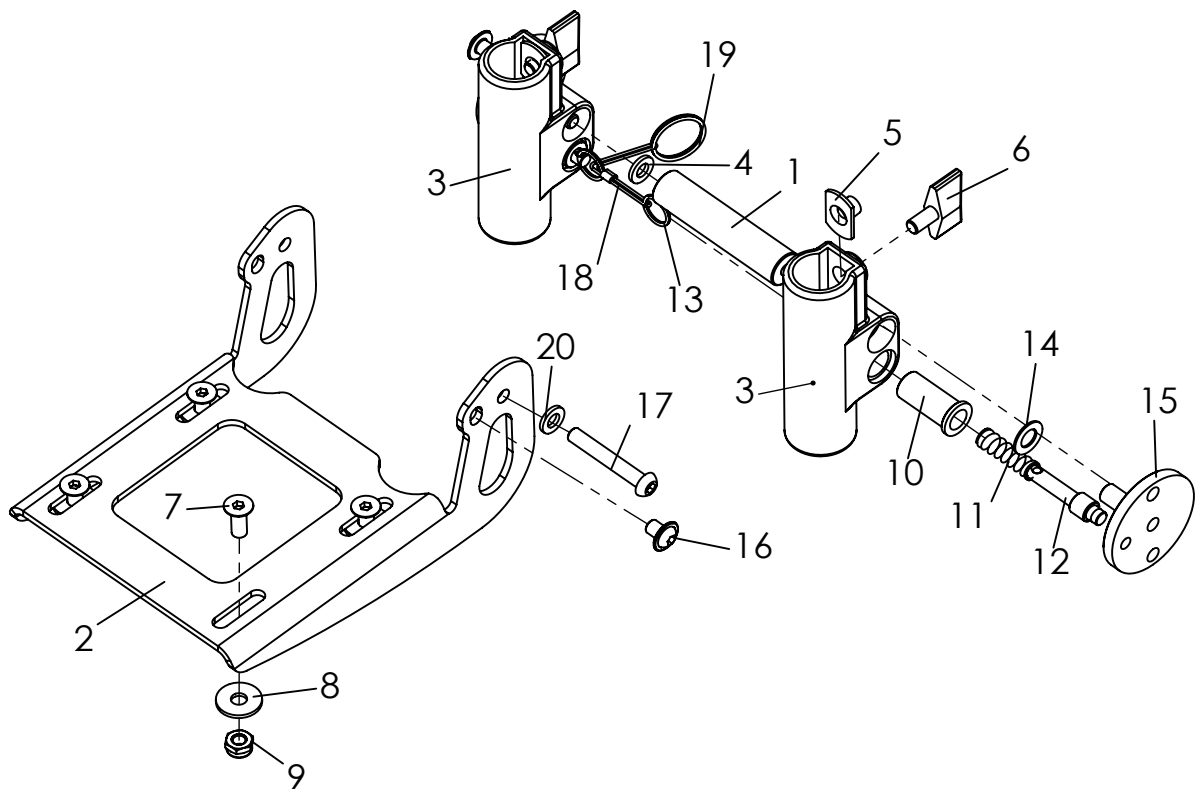
Pos	Article number	Articel description	Quantity	Unit
1-3	<b>SA-0158/26-KP</b>	<b>Calf upholstery suitable to SW 24-26-28</b>	1	Pc.
	<b>SA-0158/30-KP</b>	<b>Calf upholstery suitable to SW 28-30-32</b>	1	Pc.
	<b>SA-0158/34-KP</b>	<b>Calf upholstery suitable to SW 32-34-36</b>	1	Pc.
2-4	<b>SA-0158/3-KP</b>	<b>Calf upholstery for single foot rest hanger</b>	1	Pc.
1	7000-0153	Calf upholstery for SA-0158 suitable to SW 24-26-28	1	Pc.
	7000-0154	Calf upholstery for SA-0158 suitable to SW 28-30-32	1	Pc.
	7000-0155	Calf upholstery for SA-0158 suitable to SW 32-34-36	1	Pc.
2	1116-0001	Tube clamp PA black D20	4	Pc.
3	1125-0640	Cross handle screw KRGS 30 M6x40	8	Pc.
4	7000-0156	Calf upholstery for SA-0158 single foot rest hanger	1	Pair

# Spare parts



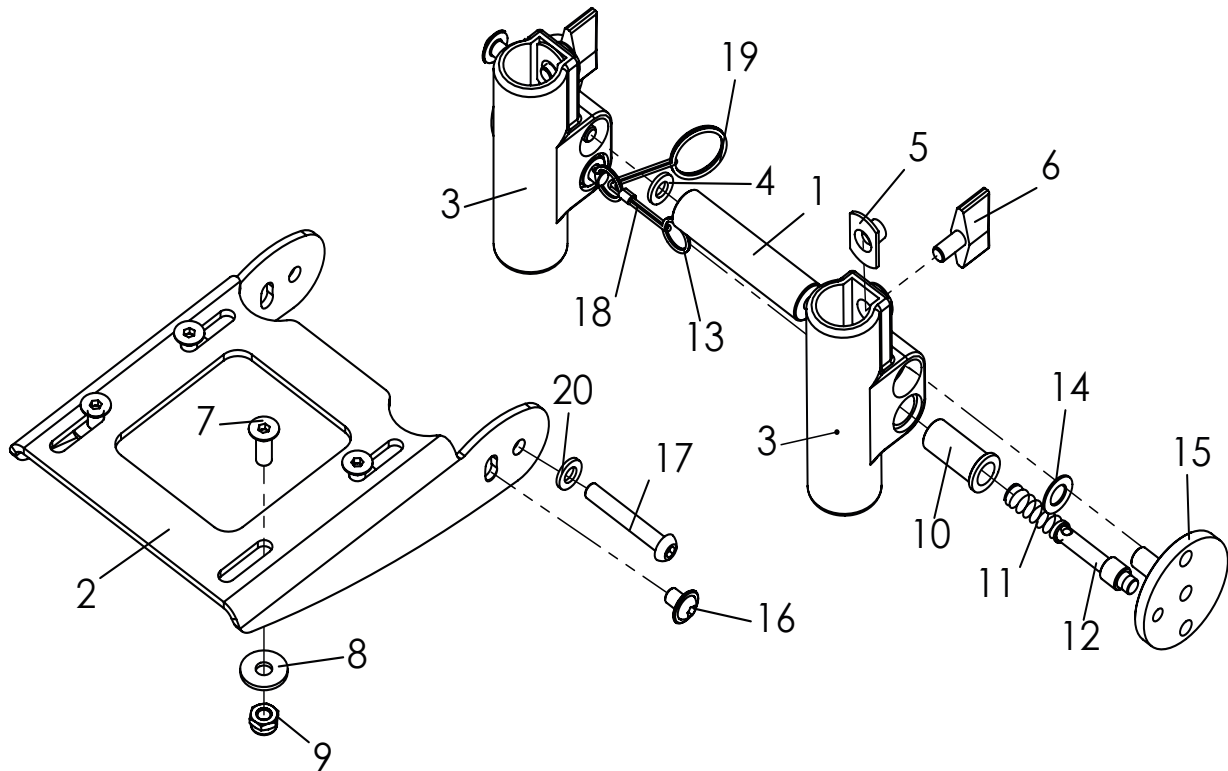
Pos	Article number	Articel description	Quantity	Unit
<b>1-12</b>	<b>3246-4302E</b>	<b>Foot board assembly angle adjustable and foldable</b>	<b>1</b>	<b>Pc.</b>
	<b>3246-4304E</b>	<b>reinforced foot rest bracket "steel SA-0430" angle adjustable, flip up type</b>	<b>1</b>	<b>Pc.</b>
1	3240-2913	Stabilizer	1	Pc.
2	3201-2520	Footboard holder	2	Pc.
3	1052-0008	Spring washer B8	2	Pc.
4	3201-2530	Bushing	2	Pc.
<b>5</b>	3240-2911-032	Foot rest bracket black	<b>1</b>	<b>Pc.</b>
	3240-2912-032	foot rest bracket steel, black dull matt		
6	1051-0006	Washer A6,4	4	Pc.
7	1029-0640	Button head socket screw M6x40	2	Pc.
8	1049-0052	T-nut L-769 M6x8,5	2	Pc.
9	1123-0612	Wing screw Pa black M6x12 M6x BPF 20	2	Pc.
10	1024-0616-033	Hexagon socket countersunk head screw black M6x16	4	Pc.
11	1055-0006	Washer A 6,4	4	Pc.
12	1042-0006	Hexagon nut self-locking M6	4	Pc.

# Spare parts



Pos	Article number	Articel description	Quantity	Unit
<b>1-20</b>	<b>3246-4303E</b>	<b>Foot rest bracket angle adjustable, with interlocking</b>	<b>1</b>	<b>Pc.</b>
	<b>3246-4305E</b>	<b>Reinforced foot rest bracket "steel SA-0430" angle adjustable, with interlocking</b>	<b>1</b>	<b>Pc.</b>
1	3240-2913	Stabilizer	1	Pc.
2	3201-2520	Footboard holder	2	Pc.
3	3240-2911-032	Foot rest bracket black	1	Pc.
	3240-2912-032	foot rest bracket steel, black dull matt	1	Pc.
4	1051-0006	Washer A6,4	2	Pc.
5	1049-0052	T-nut L-769 M6x8,5	2	Pc.
6	1123-0612	Wing screw Pa black M6x12 M6x BPF 20	2	Pc.
7	1024-0616-033	Hexagon socket countersunk head screw black M6x16	4	Pc.
8	1055-0006	Washer A 6,4	4	Pc.
9	1042-0006	Hexagon nut self-locking M6	4	Pc.
<b>10-20</b>	<b>3240-2950E</b>	<b>Footrest flip up lock</b>	<b>1</b>	<b>Pc.</b>
10	3201-7520	Spring housing	2	Pc.
11	1131-0036	Compression spring D-127d 0,8x8,3x29	2	Pc.
12	3201-7530	Lock pin	2	Pc.
13	1129-0036	Key ring 16x1,6	2	Pc.
14	1052-0008	Spring washer B8	2	Pc.
15	3201-7510	Lock plate	2	Pc.
16	1030-0608	Button head socket screw with flang M6x8	2	Pc.
17	1029-0640	Button head socket screw M6x40	2	Pc.
18	3201-7560	Wire rope for foot rest lock, EVO	1	Pc.
19	1129-0003	Key ring 24x1,5	1	Pc.
20	1051-0006	Washer A6,4	2	Pc.

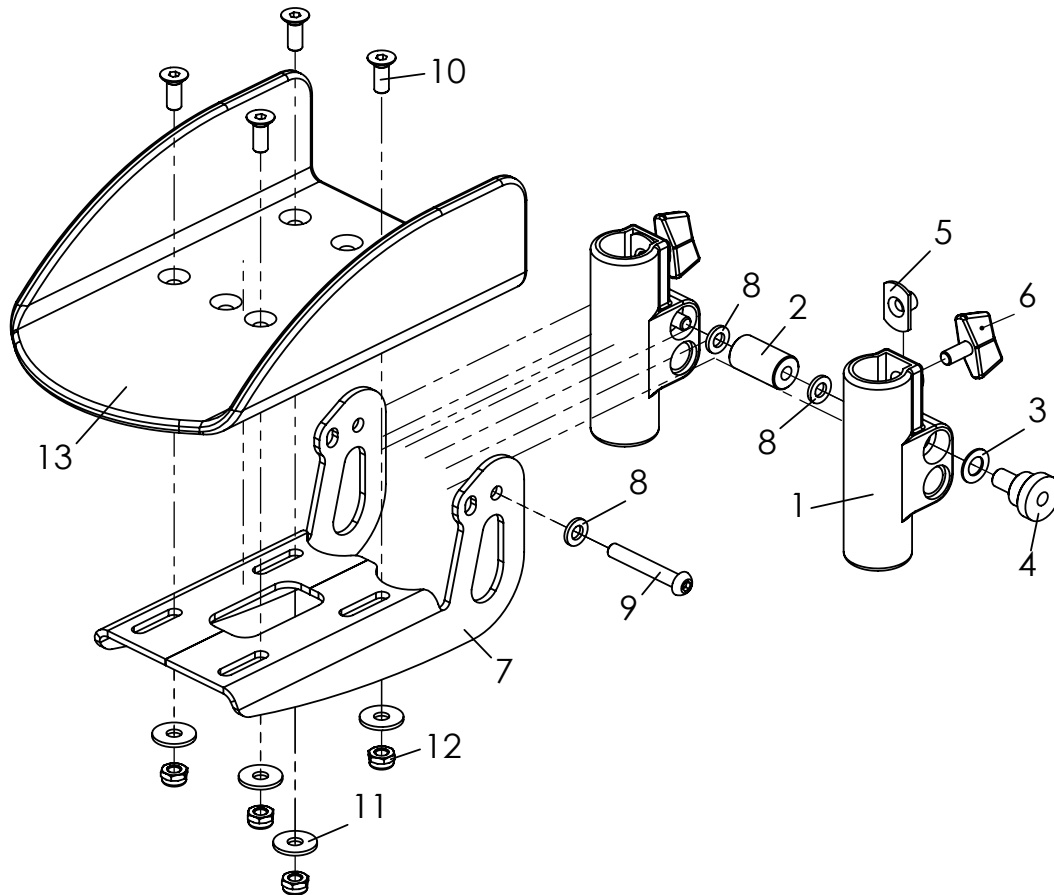
# Spare parts



Pos	Article number	Articel description	Quantity	Unit
<b>1-20</b>	<b>3246-4306E</b>	<b>Foot rest bracket angle adjustable, with interlocking for short LLL</b>	<b>1</b>	<b>Pc.</b>
1	3240-2913	Stabilizer	1	Pc.
2	3201-2520	Footboard holder	2	Pc.
3	3240-2914-032	Foot rest bracket black	1	Pc.
4	1051-0006	Washer A6,4	2	Pc.
5	1049-0052	T-nut L-769 M6x8,5	2	Pc.
6	1123-0612	Wing screw Pa black M6x12 M6x BPF 20	2	Pc.
7	1024-0616-033	Hexagon socket countersunk head screw black M6x16	4	Pc.
8	1055-0006	Washer A 6,4	4	Pc.
9	1042-0006	Hexagon nut self-locking M6	4	Pc.
<b>10-20</b>	<b>3240-2950E</b>	<b>Footrest flip up lock</b>	<b>1</b>	<b>Pc.</b>
10	3201-7520	Spring housing	2	Pc.
11	1131-0036	Compression spring D-127d 0,8x8,3x29	2	Pc.
12	3201-7530	Lock pin	2	Pc.
13	1129-0036	Key ring 16x1,6	2	Pc.
14	1052-0008	Spring washer B8	2	Pc.
15	3201-7510	Lock plate	2	Pc.
16	1030-0608	Button head socket screw with flang M6x8	2	Pc.
17	1029-0640	Button head socket screw M6x40	2	Pc.
18	3201-7560	Wire rope for foot rest lock, EVO	1	Pc.
19	1129-0003	Key ring 24x1,5	1	Pc.
20	1051-0006	Washer A6,4	2	Pc.

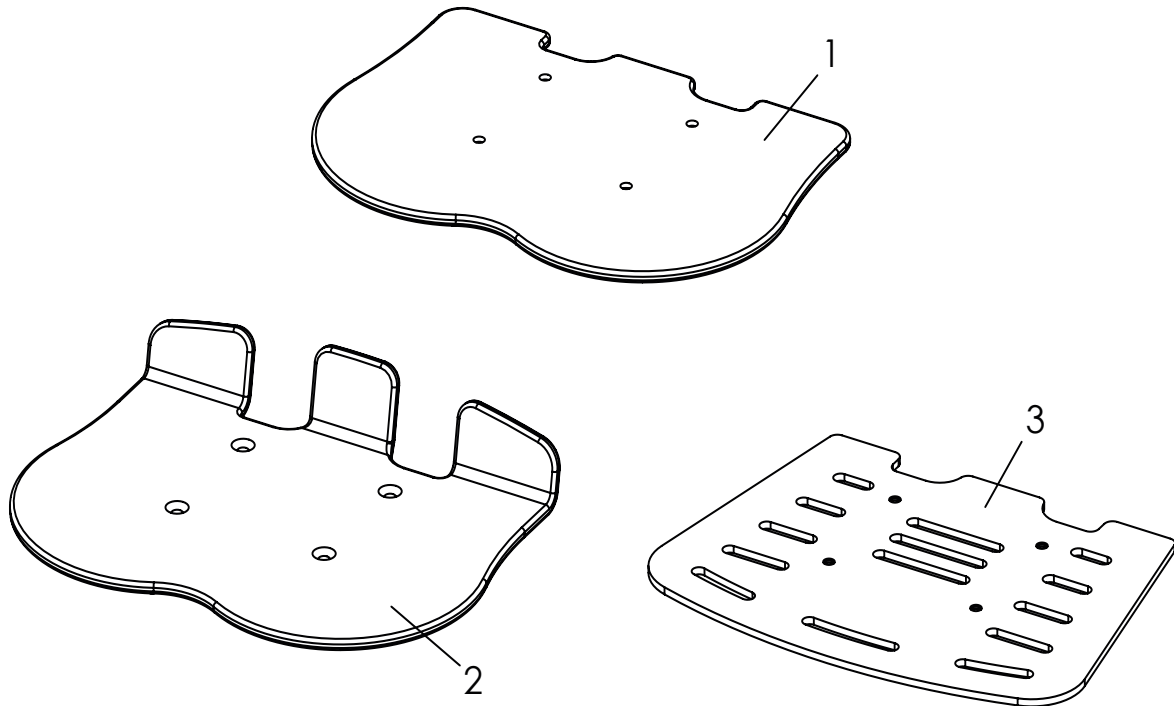


# Spare parts



Pos	Article number	Articel description	Quantity	Unit
<b>1-12</b>	<b>3232-2440E-015</b>	<b>Footboard holder for single footrests, complete</b>	<b>1</b>	<b>Pc.</b>
1	3201-2520	Footboard holder	2	Pc.
2	3232-2442	Stabilizer	1	Pc.
3	1052-0008	Spring washer B8	2	Pc.
4	3201-2530	Bushing	2	Pc.
5	1049-0052	T-nut L-769 zp 22x14xM6x8,5	2	Pc.
6	1123-0612	Wing screw Pa black M6x12 M6x BPF 20	2	Pc.
7	3232-2441-015	Foot rest bracket	1	Pc.
8	1051-0006	Washer A6,4	4	Pc.
9	1029-0640	Button head socket screw M6x40	2	Pc.
10	1024-0616-033	Hexagon socket countersunk head screw black M6x16	4	Pc.
11	1055-0006	Washer A6,4	4	Pc.
12	1042-0006	Hexagon nut self-locking M6	4	Pc.
13	3232-2551	Single foot plate in trough shape size 1, 120x200	1	Pc.
	3234-2551	Single foot plate in trough shape size 2, 160x240	1	Pc.

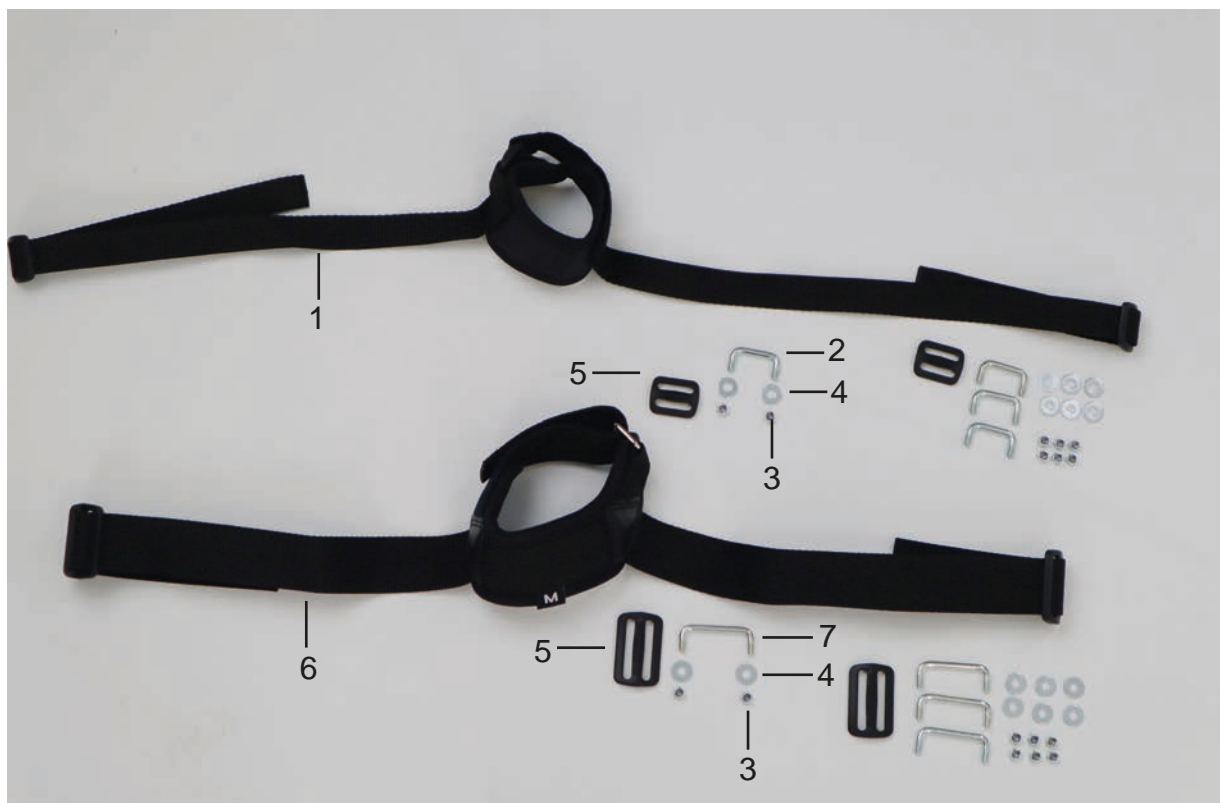
# Spare parts



Pos	Article number	Articel description	Quantity	Unit
1	3248-44SW*	Foot rest	1	Pc.
2	3248-45SW*	Foot rest with heelstop	1	Pc.
3	3248-46SW*	Foot rest aluminum, in frame colour	1	Pc.

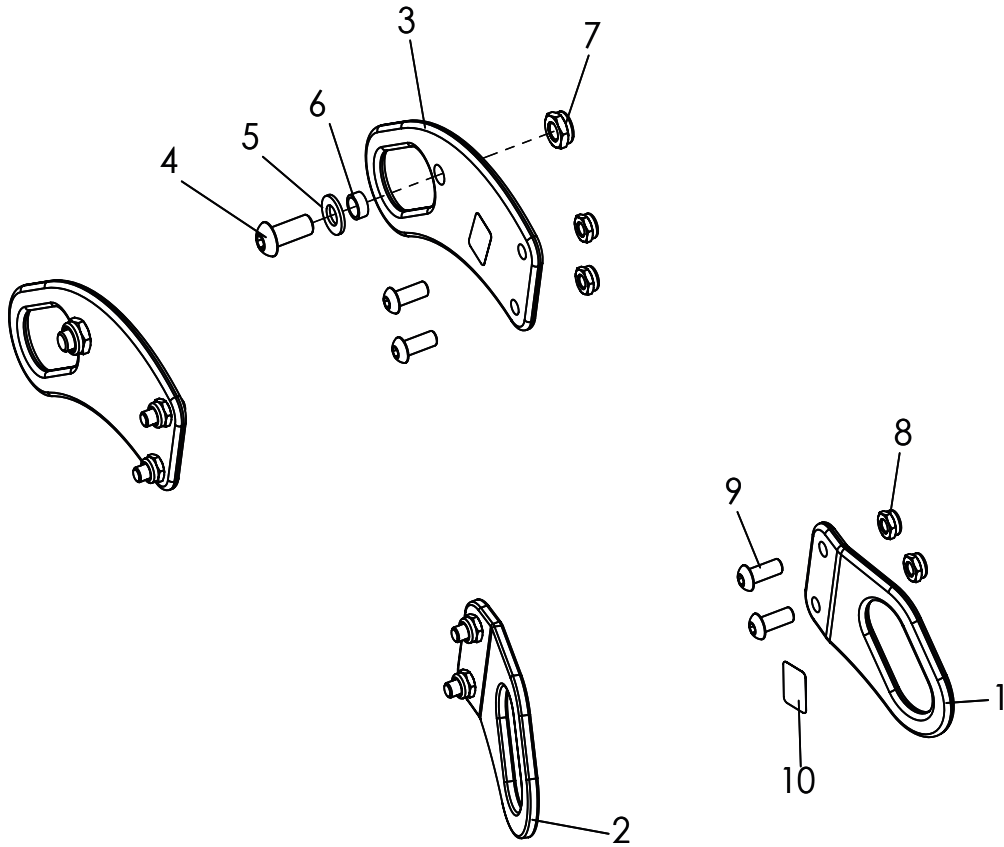
\* Footboard width equals, SW minus (-) one!

# Spare parts



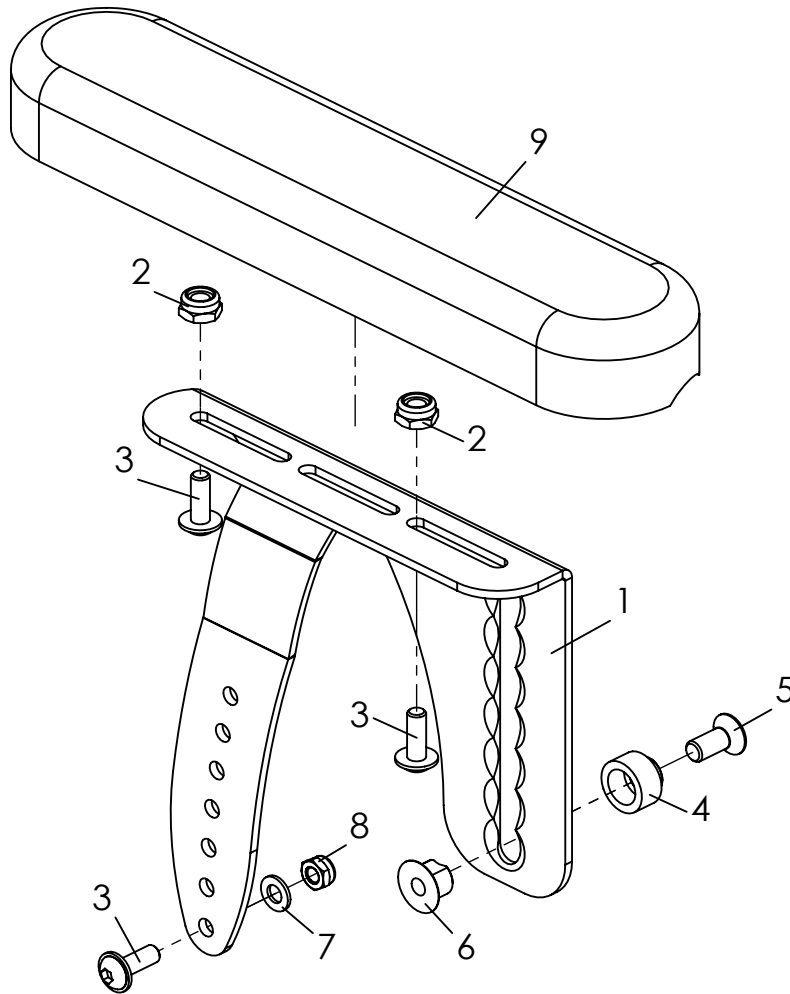
Pos	Article number	Articel description	Quantity	Unit
1-4	<b>3201-6400</b>	<b>Ankle huggers size 1 (diameter approx. 4 - 6.5 cm)</b>	<b>1</b>	<b>Set</b>
	<b>3203-6400</b>	<b>Ankle huggers size 2 (diameter approx. 6 - 8.5 cm)</b>	<b>1</b>	<b>Set</b>
1	3201-6410	Foot strap anchor Gr.1	4	Pc.
	3203-6410	Foot strap anchor size 2	4	Pc.
2	1042-0005	Hexagon nut self-locking zp DIN/ISO 985 M5	8	Pc.
3	1055-0005	Washer A5,3	8	Pc.
4	1530-0004	Buckle TG 25/N	4	Pc.

# Spare parts



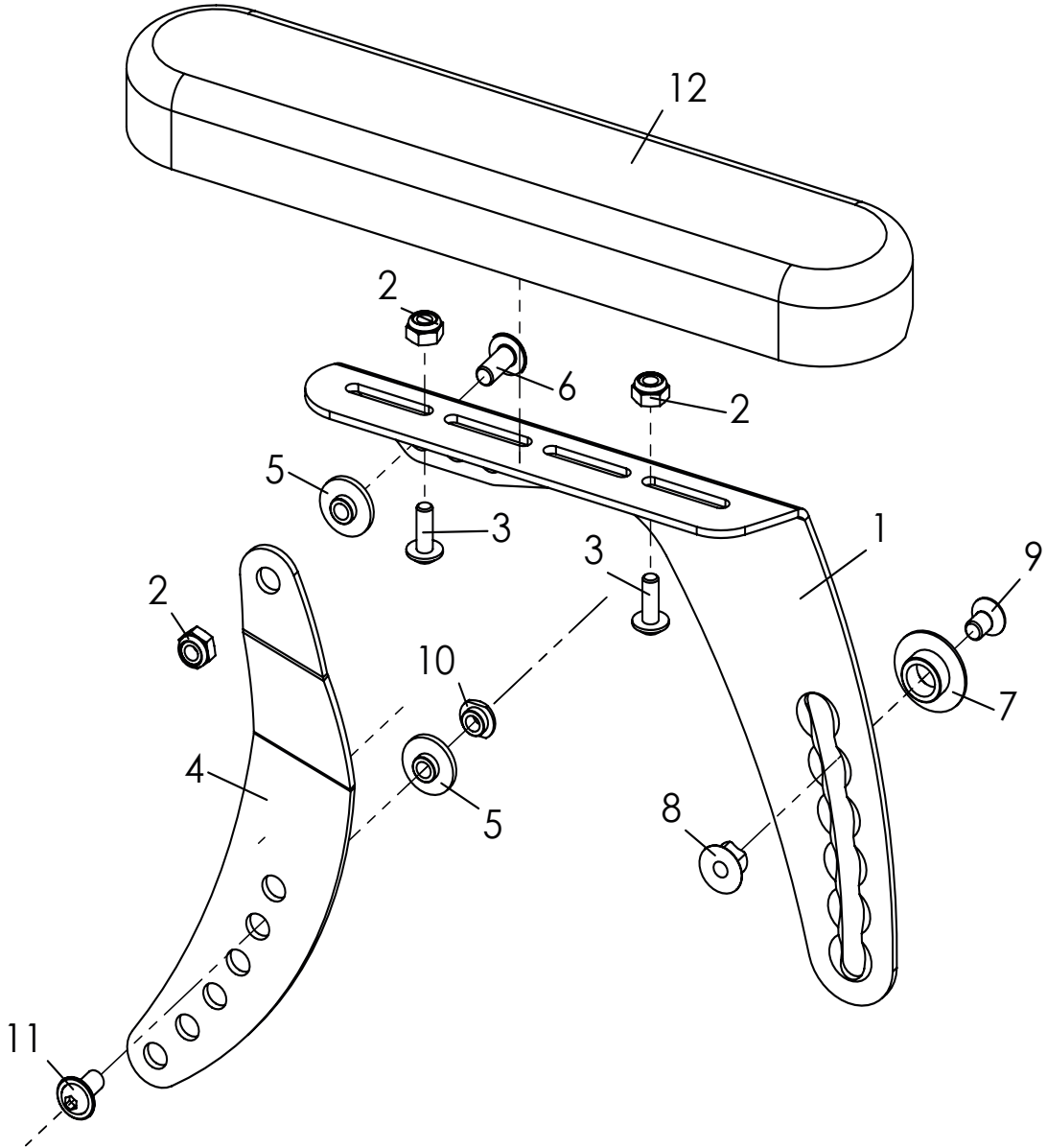
Pos	Article number	Articel description	Quantity	Unit
<b>1-10</b>	<b>3248-7300</b>	<b>Tie down kit</b>	<b>1</b>	<b>Pc.</b>
1	3248-7311-015	Lashing front left	1	Pc.
2	3248-7312-015	Lashing front right	1	Pc.
3	3248-7321-015	Lashing back side	2	Pc.
4	1029-0820	Button head socket screw M8x20	2	Pc.
5	1051-0008	Washer A8,4	2	Pc.
6	3201-7350	Slide bushing	2	Pc.
7	1042-0008	Hexagon nut self-locking M8	2	Pc.
8	1042-0006	Hexagon nut self-locking M6	8	Pc.
9	1029-0616	Button head socket screw M6x16	8	Pc.
10	1914-0007	Adhesive lable with hook symbol (4 pcs.)	1	Set

# Spare parts



Pos	Article number	Articel description	Quantity	Unit
1-8	<b>3246-6201E</b>	<b>Armrest left size 1, hight from 14-21cm</b>	<b>1</b>	<b>Pc.</b>
	<b>3246-6202E</b>	<b>Armrest right size 1, hight from 14-21cm</b>	<b>1</b>	<b>Pc.</b>
	<b>3246-6301E</b>	<b>Armrest left size 2, hight from 19-26cm</b>	<b>1</b>	<b>Pc.</b>
	<b>3246-6302E</b>	<b>Armrest right size 2, hight from 19-26cm</b>	<b>1</b>	<b>Pc.</b>
1	3246-6211-015	Armrest carrier left size 1	1	Pc.
	3246-6212-015	Armrest carrier right size 1	1	Pc.
	3246-6311-015	Armrest carrier left size 2	1	Pc.
	3246-6312-015	Armrest carrier right size 2	1	Pc.
2	1042-0006	Hexagon nut self-locking zp M6	2	Pc.
3	1030-0514	Button head socket screw with flange M5x14	3	Pc.
4	3246-1149	Bearing axle for tipping armrest	1	Pc.
5	1024-0616	Hexagon socket countersunk head screw M6x16	1	Pc.
6	3246-6213	Clamping nut	1	Pc.
7	1051-0005	Washer A5,3	1	Pc.
8	1042-0005	Hexagon nut self-locking M5	1	Pc.
9	7000-0024	Armrest pads PU 235mm	1	Pc.
	7000-0047	Armrest pads PU 270mm	1	Pc.

# Spare parts

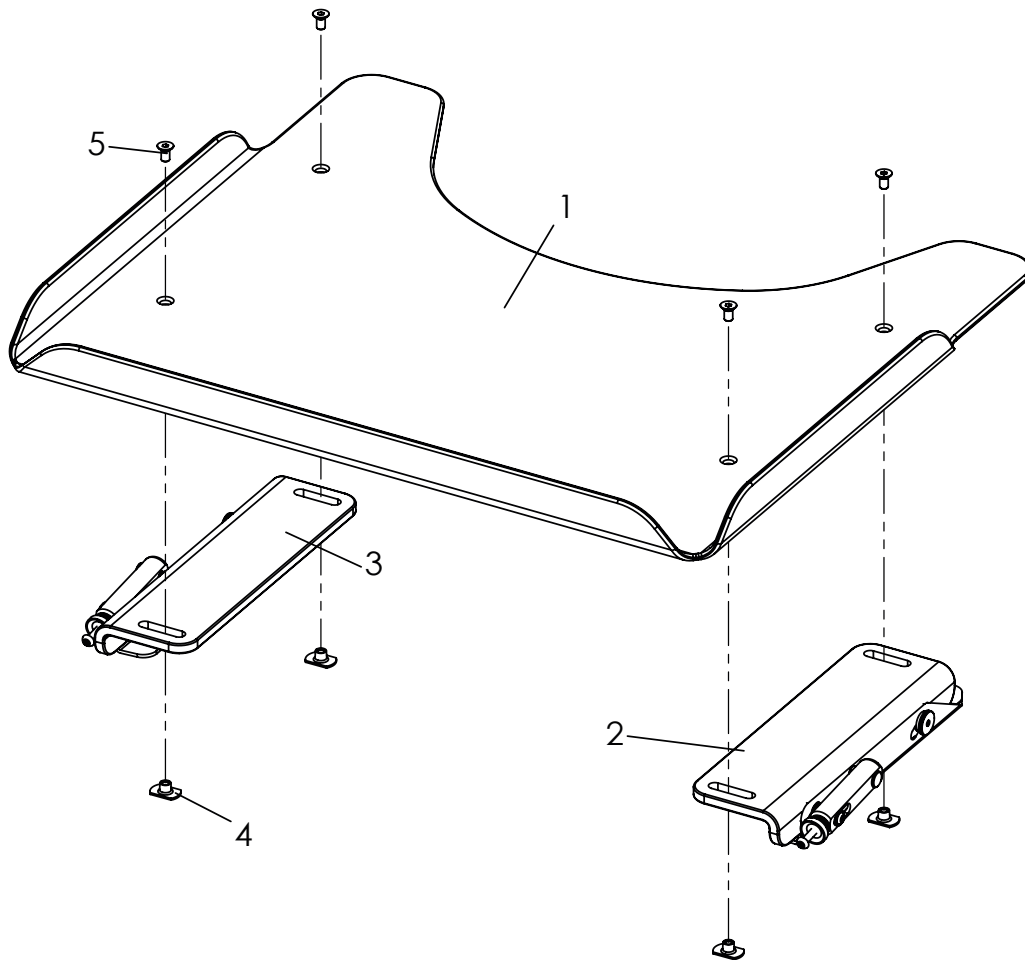


# Spare parts

Pos	Article number	Articel description	Qua	Unit
1-12	<b>3246-6401E</b>	<b>Armrest with tilt balancing, left size 1, higt from 15-21cm</b>	<b>1</b>	<b>Pc.</b>
	<b>3246-6402E</b>	<b>Armrest with tilt balancing, right size 1, higt from 15-21cm</b>	<b>1</b>	<b>Pc.</b>
	<b>3246-6501E</b>	<b>Armrest with tilt balancing, left size 2, hight from 18-26cm</b>	<b>1</b>	<b>Pc.</b>
	<b>3246-6502E</b>	<b>Armrest with tilt balancing, right size 2, hight from 18-26cm</b>	<b>1</b>	<b>Pc.</b>
	<b>3246-6501E-SA-0408</b>	<b>Armrest with tilt balancing, left size 2, reinforced</b>	<b>1</b>	<b>Pc.</b>
	<b>3246-6502E-SA-0408</b>	<b>Armrest with tilt balancing, right size 2, reinforced</b>	<b>1</b>	<b>Pc.</b>
1	3246-6411-015	Armrest retainer left size 1, FS black	1	Pc.
	3246-6412-015	Armrest retainer right size 1, FS black	1	Pc.
	3246-6511-015	Armrest retainer left size 2, FS black	1	Pc.
	3246-6512-015	Armrest retainer right size 2, FS black	1	Pc.
	3246-6511_SA-0408-015	Armrest retainer left size 2, reinforced, FS black	1	Pc.
	3246-6512_SA-0408-015	Armrest retainer right size 2, reinforced, FS black	1	Pc.
2	1042-0006	Hexagon nut self-locking M6	3	Pc.
3	1030-0514	Button head socket screw with flange M5x14	2	Pc.
4	3246-6413-015	Pivot lever, arm rest, left, FS black	1	Pc.
	3246-6414-015	Pivot lever, arm rest, right, FS black	1	Pc.
	3246-6413_SA-0408-015	Pivot lever, arm rest, left reinforced, FS black	1	Pc.
	3246-6414_SA-0408-015	Pivot lever, arm rest, right reinforced, FS black	1	Pc.
5	3210-1238	Shoulder bushing	2	Pc.
6	1030-0614	Button head socket screw with flange M6x16	1	Pc.
7	3246-6215	Bearing for armrest	1	Pc.
8	3246-6213	Clamping nut	1	Pc.
9	1024-0610	Hexagon socket countersunk head screw M6x10	1	Pc.
10	3246-6216	Collar nut M6	1	Pc.
11	1030-0612	Button head socket screw with flange M6x12	1	Pc.
12*	3246-6421	Cover of tilt left	1	Pc.
	3246-6422	Cover of tilt right	1	Pc.
13	7000-0024	Armrest pads PU 235mm	1	Pc.
	7000-0047	Armrest pads PU 270mm	1	Pc.

\* Pos. 12 only when using Armrest with tilt balancing size 1

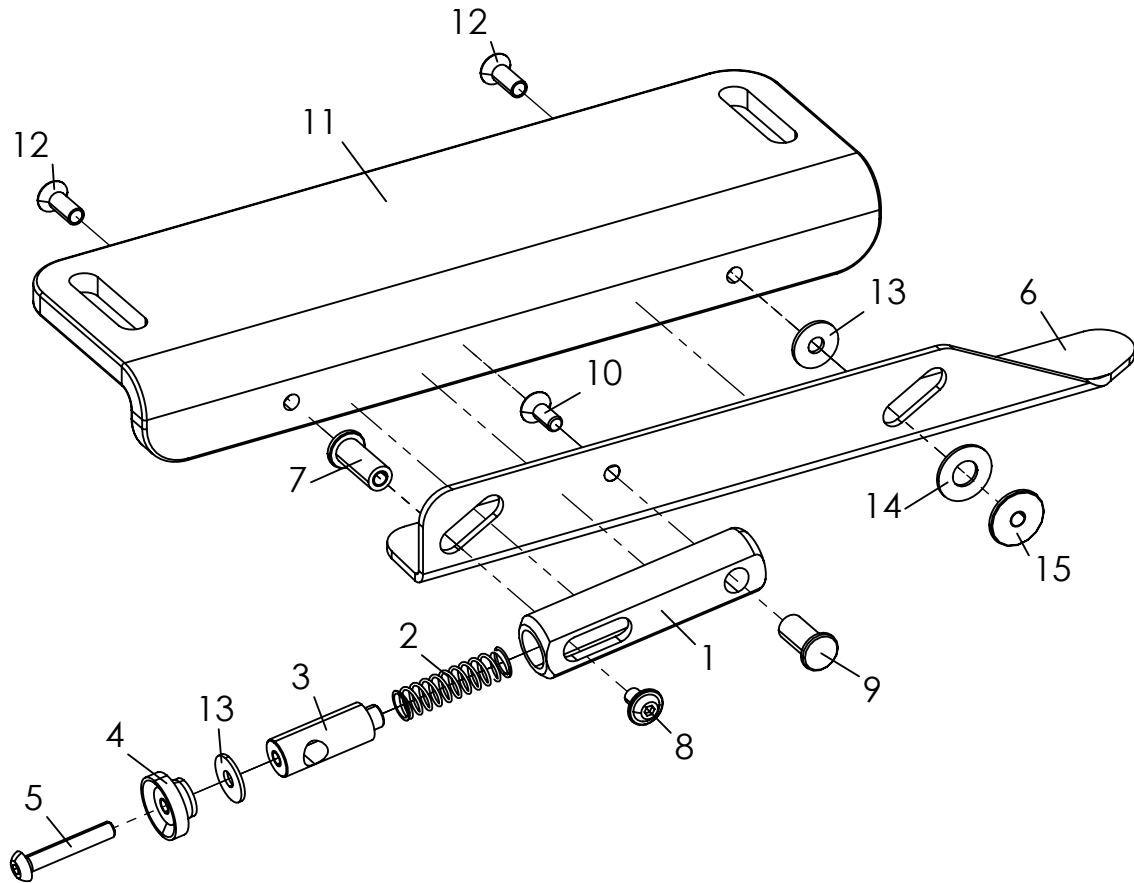
# Spare parts



Pos	Article number	Articel description	Quantity	Unii
1-5	3240-8202	<b>Therapy tray, size 2, SW 24-26</b>	1	Pc.
	3240-8203	<b>Therapy tray, size 3, SW 28-32</b>	1	Pc.
	3240-8204	<b>Therapy tray, size 4, SW 34-36</b>	1	Pc.
	3240-8205	<b>Therapy tray size 5, SW 40+44</b>	1	Pc.
	3240-8206	<b>Therapy tray size 6, SW 48</b>	1	Pc.
1	3240-8292	Table board, size 2	1	Pc.
	3240-8293	Table board, size 3	1	Pc.
	3240-8294	Table board, size 4	1	Pc.
2	3240-8210E	Clamping unit, right	1	Pc.
3	3240-8220E	Clamping unit, left	1	Pc.
	3240-8230E	Clamping unit long, left for SW 48	1	Pc.
	3240-8240E	Clamping unit long, right for SW 48	1	Pc.
4	1049-0052	T-nut L-M6x8,5	4	Pc.
5	1024-0612	Hexagon socket countersunk head screw M6x12	4	Pc.

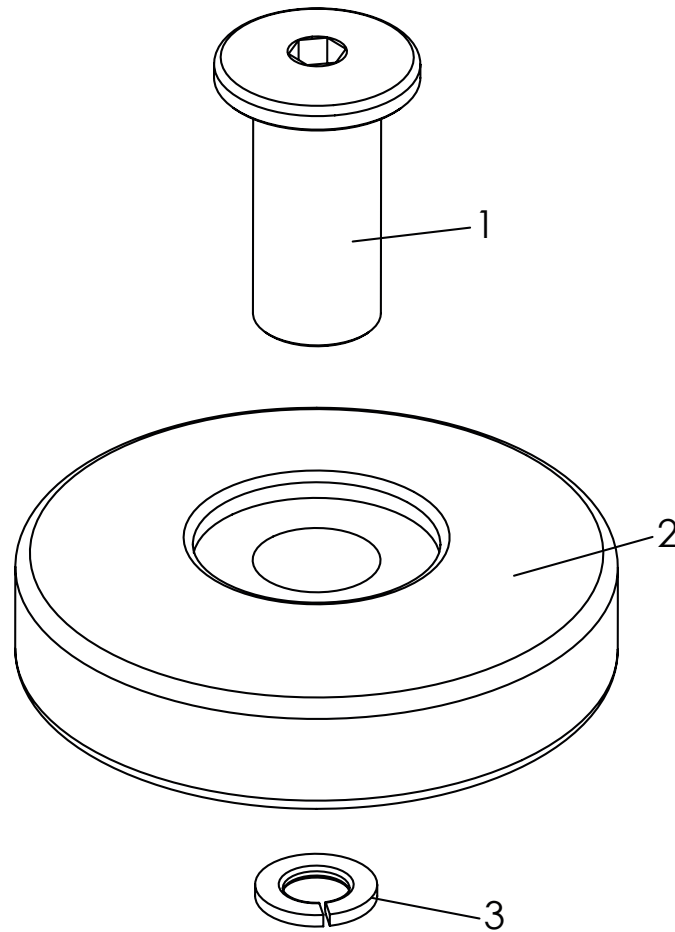


# Spare parts



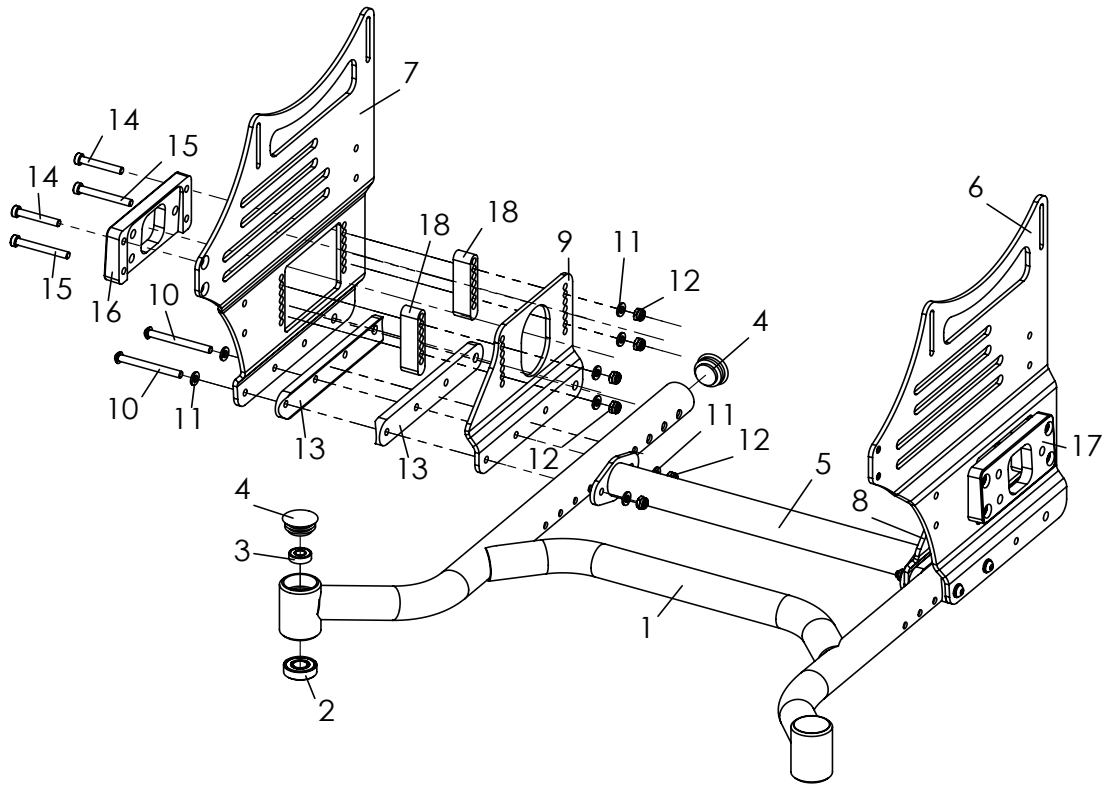
Pos	Article number	Articel description	Quantity	Unit
<b>1-14</b>	<b>3240-8210E</b>	<b>Clamping unit, left</b>	<b>1</b>	<b>Pc.</b>
	<b>3240-8220E</b>	<b>Clamping unit, right</b>	<b>1</b>	<b>Pc.</b>
	<b>3240-8230E</b>	<b>Clamping unit long, left for SW 48</b>	<b>1</b>	<b>Pc.</b>
	<b>3240-8240E</b>	<b>Clamping unit long, right for SW 48</b>	<b>1</b>	<b>Pc.</b>
1	3240-8214	Spring housing	1	Pc.
2	1131-0043	Compression spring D-143F	1	Pc.
3	3240-8215	Spring guide	1	Pc.
4	1124-0500	Knurled nut PA black M5	1	Pc.
5	1029-0530	Button head socket screw M5x30	1	Pc.
6	3240-8212-015	Terminal strip, left	1	Pc.
	3240-8222-015	Terminal strip, right	1	Pc.
7	3240-8217	Bearing bush	1	Pc.
8	1030-0508	Button head socket screw with flange M5x8	1	Pc.
9	3240-8216	Bearing bush	1	Pc.
10	1024-0512	Hexagon socket countersunk head screw M5x12	1	Pc.
11	3240-8211	Adjusting bracket	1	Pc.
	3240-8213	Adjusting bracket long for SW 48	1	Pc.
12	1024-0514	Hexagon socket countersunk head screw M5x14	2	Pc.
13	1055-0005	Washer A5,3	2	Pc.
14	1113-0003	Washer PA 18x8,4x1 black	1	Pc.
15	3240-8218	Bearing bush	1	Pc.

# Spare parts



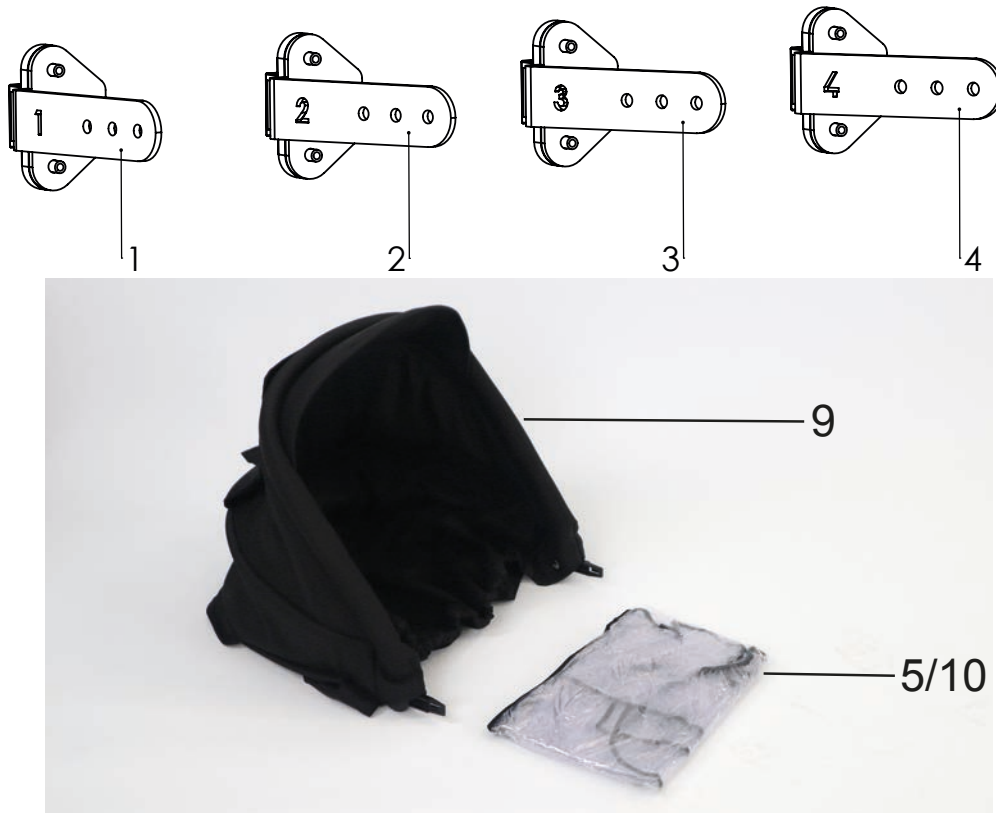
Pos	Article number	Articel description	Quantity	Unit
<b>1-3</b>	<b>3275-1910</b>	<b>Bumper wheels</b>	<b>1</b>	<b>Set</b>
1	3275-1911-007	Axle deflector role	2	Pc.
2	1249-0001	Deflector role	2	Pc.
3	1059-0010	Spring washer M8	2	Pc.

# Spare parts



Pos	Article number	Article description	Quantity	Unit
<b>1-18</b>	<b>SA-0315/3.1</b>	<b>Conversion kit to one-hand drive</b>	<b>1</b>	<b>Pc.</b>
1	3249-11SW-BG_SA-0315	Base frame	1	Pc.
2	1090-0005	Grooved ball bearing D28xd12x8	2	Pc.
3	1090-0001	Grooved ball bearing D19xd8x6	2	Pc.
4	1141-0016	Ribbed insert SFL 30 30x0,8-2,5	4	Pc.
5	3248-SA-0315-11SW-000	Stabilizing tube in frame colour	1	Pc.
6	3248-1251-SA-0315	Base plate left	1	Pc.
7	3248-1252-SA-0315	Base plate right	1	Pc.
8	3248-1255-SA-0315	Adapterplate left	1	Pc.
9	3248-1256-SA-0315	Adapterplate right	1	Pc.
10	1029-0660	Button head socket screw zp M6x60	4	Pc.
11	1051-0006	Washer A6,4	16	Pc.
12	1042-0006	Hexagon nut self-locking zp M6	12	Pc.
13	3249-1156-SA-0315	Saddle rail 150	4	Pc.
14	1022-0640	Hexagon socket head cap screw zp M6x40 (for axis adapter 3°)	4	Pc.
	1022-0645	Hexagon socket head cap screw zp M6x45 (for axis adapter 6°)	4	Pc.
	1022-0650	Hexagon socket head cap screw zp M6x50 (for axis adapter 9°)	4	Pc.
15	1022-0640	Hexagon socket head cap screw zp M6x40 (for axis adapter 3°)	4	Pc.
	1022-0650	Hexagon socket head cap screw zp M6x50 (for axis adapter 6°)	4	Pc.
	1029-0655	Button head socket screw M6x55 (for axis adapter 9°)	4	Pc.
16	3248-SA-0315-1152	Axis adapter right 3°	1	Pc.
	3248-SA-0315-1162	Axis adapter right 6°	1	Pc.
	3248-SA-0315-1172	Axis adapter right 9°	1	Pc.
17	3248-SA-0315-1151	Axis adapter left 3°	1	Pc.
	3248-SA-0315-1161	Axis adapter left 6°	1	Pc.
	3248-SA-0315-1171	Axis adapter left 9°	1	Pc.
18	3248-SA-0315-1121	Strip	4	Pc.

## Spare parts



Pos	Article number	Articel description	Quantity	Unit
1, 5-9	3245-9300-306	Canopy incl. adapter and rain protection, black, suit to back 3245-29SW, SW 24-34	1	Pc.
1, 6-10	3245-9301-306	Canopy incl. adapter and ZIP 2 rain protection, black, suit to back 3245-29SW, SW 36-44	1	Pc.
2, 5-9	3245-9302-306	Canopy incl. adapter and rain protection, black, suit to back 3245-32SW, SW 24-26	1	Pc.
4, 5-9	3245-9303-306	Canopy incl. adapter and rain protection, black, suit to back 3245-32SW, SW 28-30	1	Pc.
3, 5-9	3245-9304-306	Canopy incl. adapter and rain protection, black, suit to back 3245-32SW, SW 32-34	1	Pc.
2, 6-10	3245-9305-306	Canopy incl. adapter and ZIP 2 rain protection, black, suit to back 3245-32SW, SW 36-44	1	Pc.
1	3245-9310E	Canopy bracket for back, <b>angle adjustable and foldable: 3245-29SW</b>	1	Set
2	3248-9310E	Canopy bracket with holder for mold form back 25°, <b>SW 24, 26, 36, 40, 44</b>	1	Set
3	3248-9330E	Canopy bracket with holder for mold form back 30°, <b>SW 32 + 34</b>	1	Set
4	3248-9320E	Canopy bracket with holder for mold form back 35°, <b>SW 28 + 30</b>	1	Set
<i>Fixing material not shown:</i>				
5	7000-0008	Rain cover for canopy	1	Pc.
6	1030-0514	Button head socket screw M5x14	4	Pc.
7	1044-0005	Hexagonal domed cap nut self-locking M5	4	Pc.
8	1055-0005	Washer A5,3	4	Pc.
9	7000-0083-306	Canopy with rain cover, black	1	Pc.
10	7000-0037	Rain cover for canopy Zip size 2, <b>SW 36-44</b>	1	Pc.

---

HOGGI GmbH  
Eulerstraße 27 • 56235 Ransbach-Baumbach • Deutschland  
Telefon: (+49) 2623 / 92 499-0  
E-mail: [info@hoggi.de](mailto:info@hoggi.de) • [www.hoggi.de](http://www.hoggi.de)

---